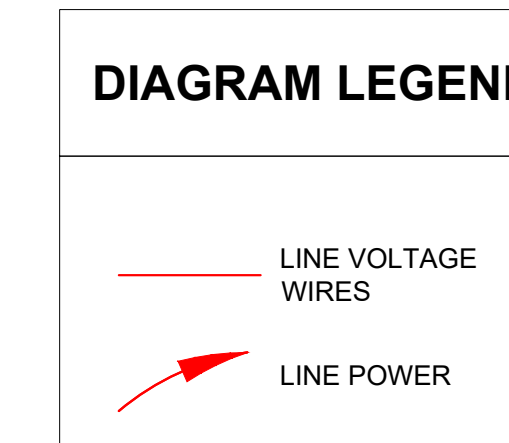
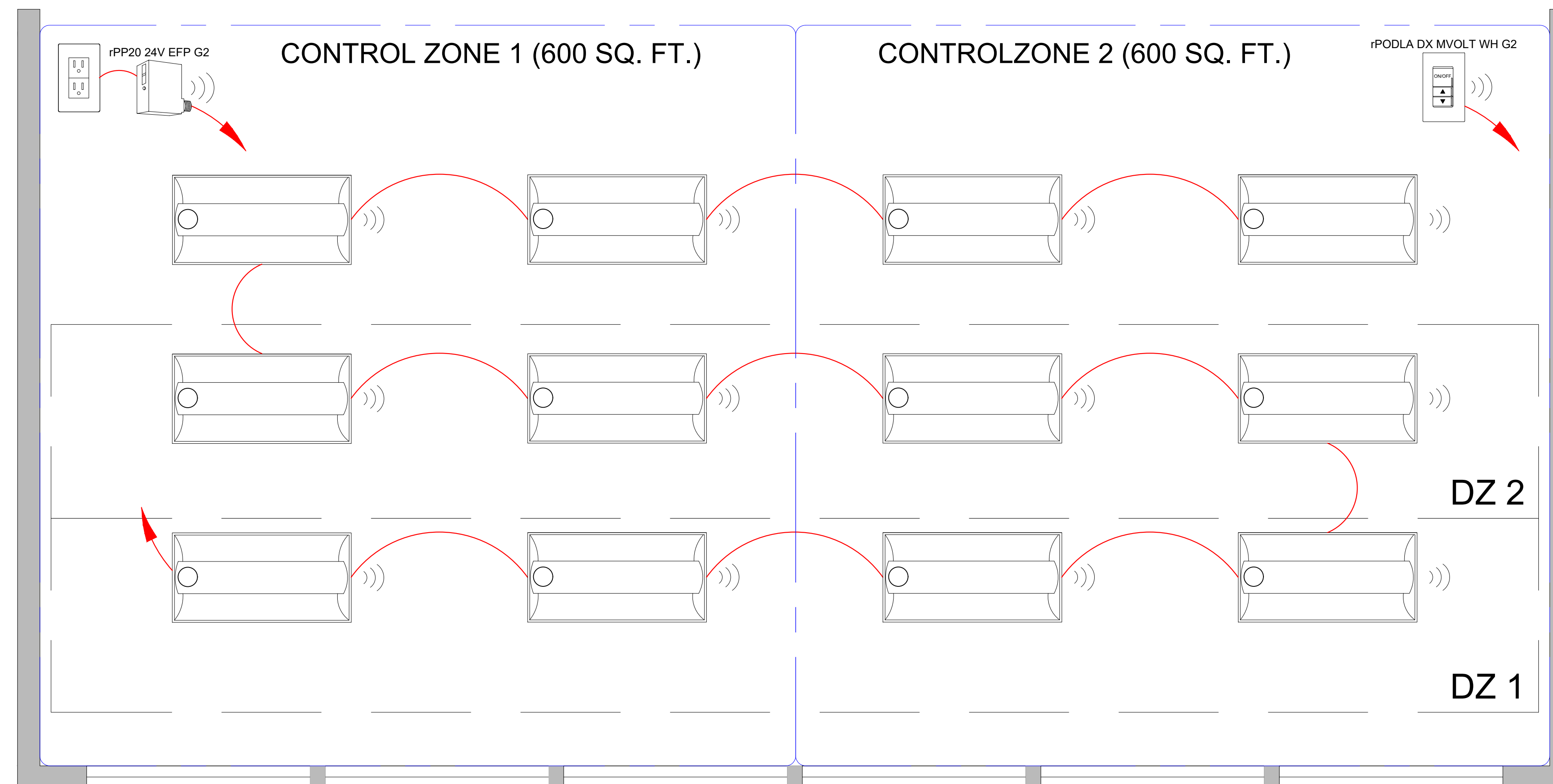


nLIGHT AIR:
OPEN OFFICE - AIR ENABLED FIXTURES



FOR nLIGHT DESIGN ASSISTANCE OR A COMPLETE BOM ON PROJECT -
 CONTACT SDLA @ CONTROLS@SDLTG.COM OR (858)505-1055

SUPPORTS THE FOLLOWING REQUIREMENTS:

- MANUAL AREA CONTROLS**
(SECTION 130.1(a))
- MULTI-LEVEL LIGHTING CONTROLS**
(SECTION 130.1(b))
- SHUT-OFF CONTROLS**
(SECTION 130.1(c))
- AUTOMATIC DAYLIGHTING CONTROLS**
(SECTION 130.1(d))
- DEMAND RESPONSE (ADR) CONTROLS**
(SECTION 130.1(e))
- CONTROLS INTERACTIONS**
(SECTION 130.1(f))
- CONTROLLED RECEPTACLES**
(SECTION 130.5(d))

SEE SDLA BASIS OF DESIGN TO COMPLY WITH TITLE 24 SECTION 120.8(c)