

nLIGHT: SMALL OFFICE - nLIGHT ENABLED

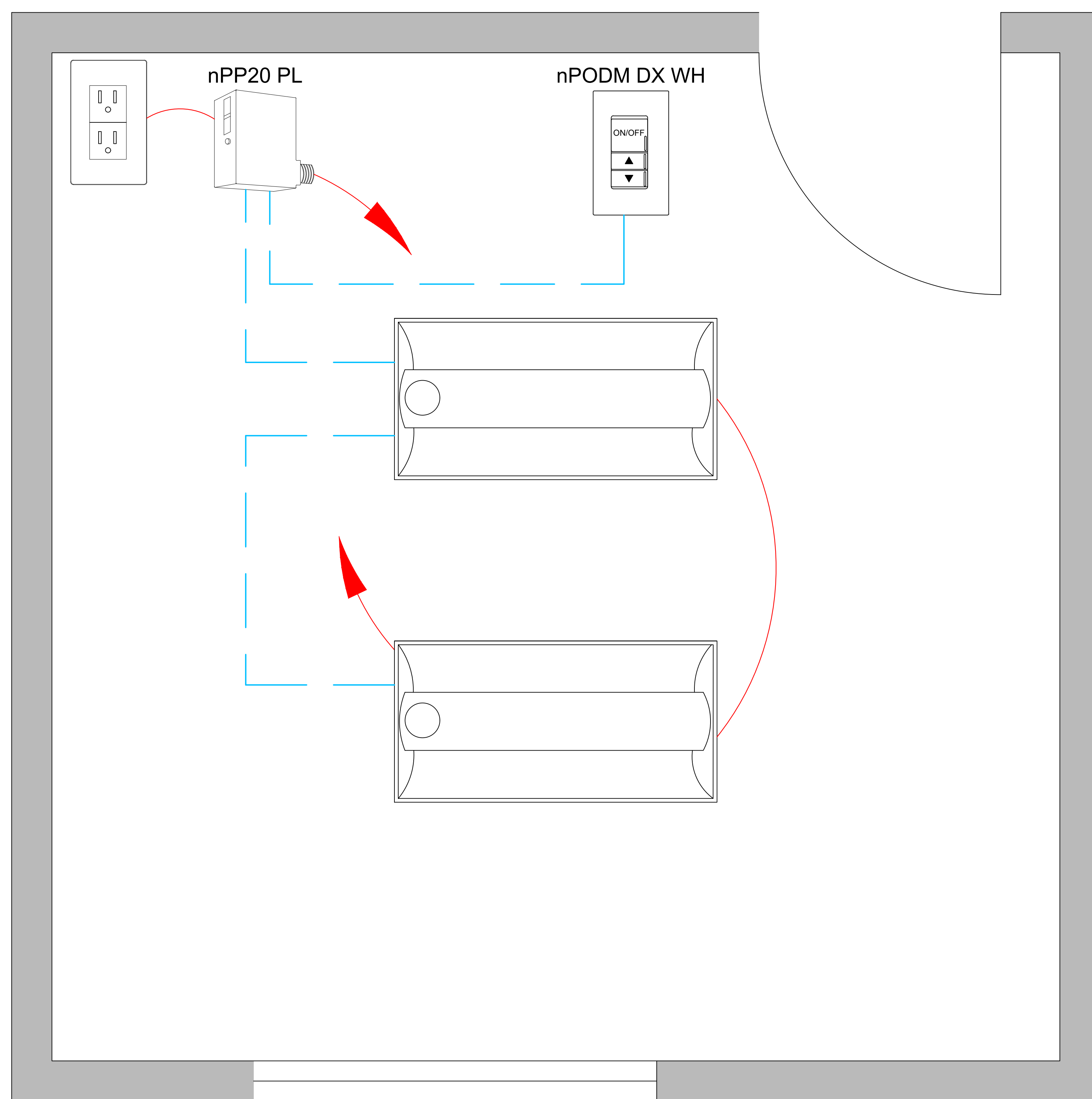


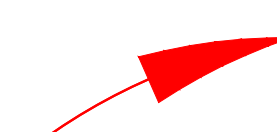









DIAGRAM LEGEND

-  CAT5
-  LINE VOLTAGE WIRES
-  LINE POWER



FOR nLIGHT DESIGN ASSISTANCE OR A COMPLETE BOM ON PROJECT -
CONTACT SDLA @ CONTROLS@SDLTG.COM OR (858)505-1055

SUPPORTS THE FOLLOWING REQUIREMENTS:

-  **MANUAL AREA CONTROLS**
(SECTION 130.1(a))
-  **MULTI-LEVEL LIGHTING CONTROLS**
(SECTION 130.1(b))
-  **SHUT-OFF CONTROLS**
(SECTION 130.1(c))
-  **AUTOMATIC DAYLIGHTING CONTROLS**
(SECTION 130.1(d))
-  **DEMAND REPOSE (ADR) CONTROLS**
(SECTION 130.1(e))
-  **CONTROLS INTERACTIONS**
(SECTION 130.1(f))
-  **CONTROLLED RECEPTACLES**
(SECTION 130.5(d))

SEE SDLA BASIS OF DESIGN TO COMPLY WITH TITLE 24 SECTION 120.8(c)