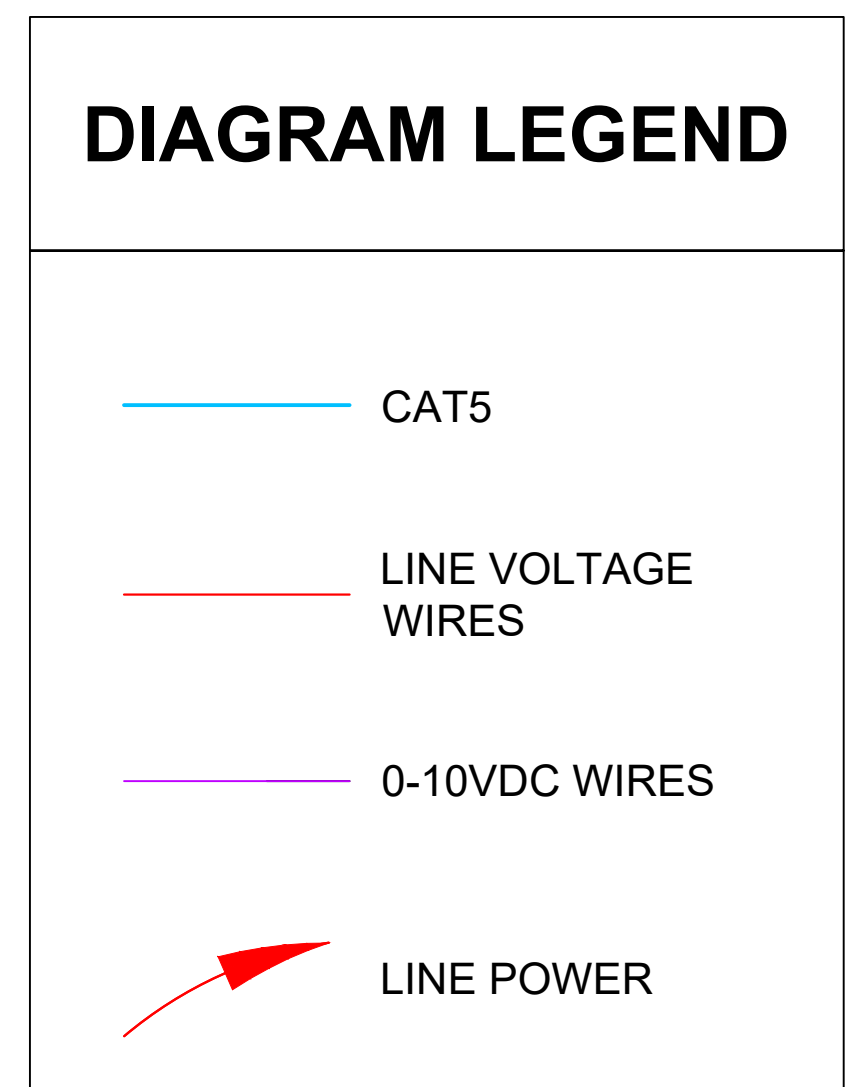
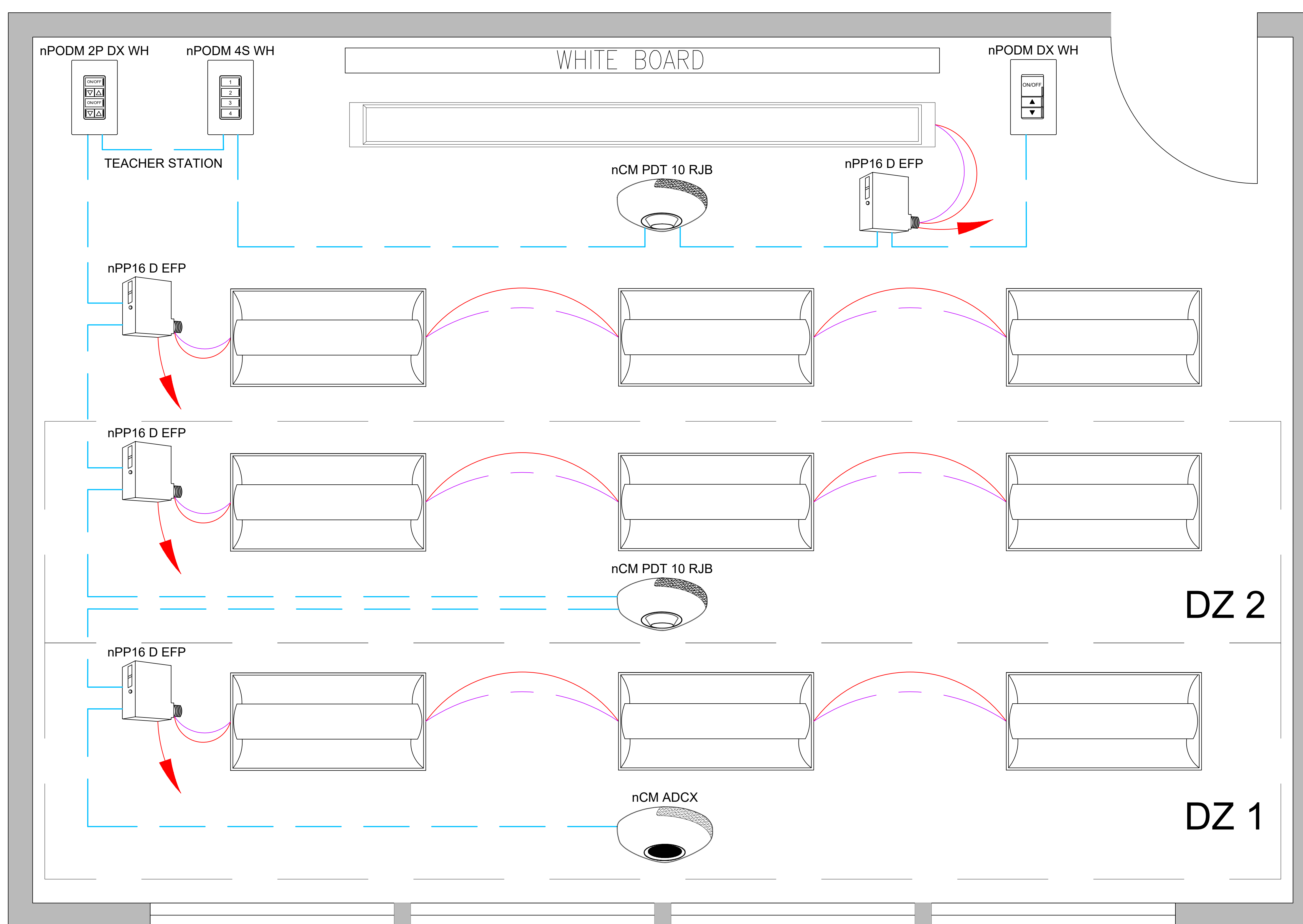


**nLIGHT:
CLASSROOM - POWERPACKS**



FOR nLIGHT DESIGN ASSISTANCE OR A COMPLETE BOM ON PROJECT - CONTACT SDLA @ CONTROLS@SDLTG.COM OR (858)505-1055

SUPPORTS THE FOLLOWING REQUIREMENTS:

- ✓ MANUAL AREA CONTROLS (SECTION 130.1(a))
- ✓ MULTI-LEVEL LIGHTING CONTROLS (SECTION 130.1(b))
- ✓ SHUT-OFF CONTROLS (SECTION 130.1(c))
- ✓ AUTOMATIC DAYLIGHTING CONTROLS (SECTION 130.1(d))
- ✓ DEMAND RESPONSE (ADR) CONTROLS (SECTION 130.1(e))
- ✓ CONTROLS INTERACTIONS (SECTION 130.1(f))
- ✓ CONTROLLED RECEPTACLES (SECTION 130.5(d))

SEE SDLA BASIS OF DESIGN TO COMPLY WITH TITLE 24 SECTION 120.8(c)