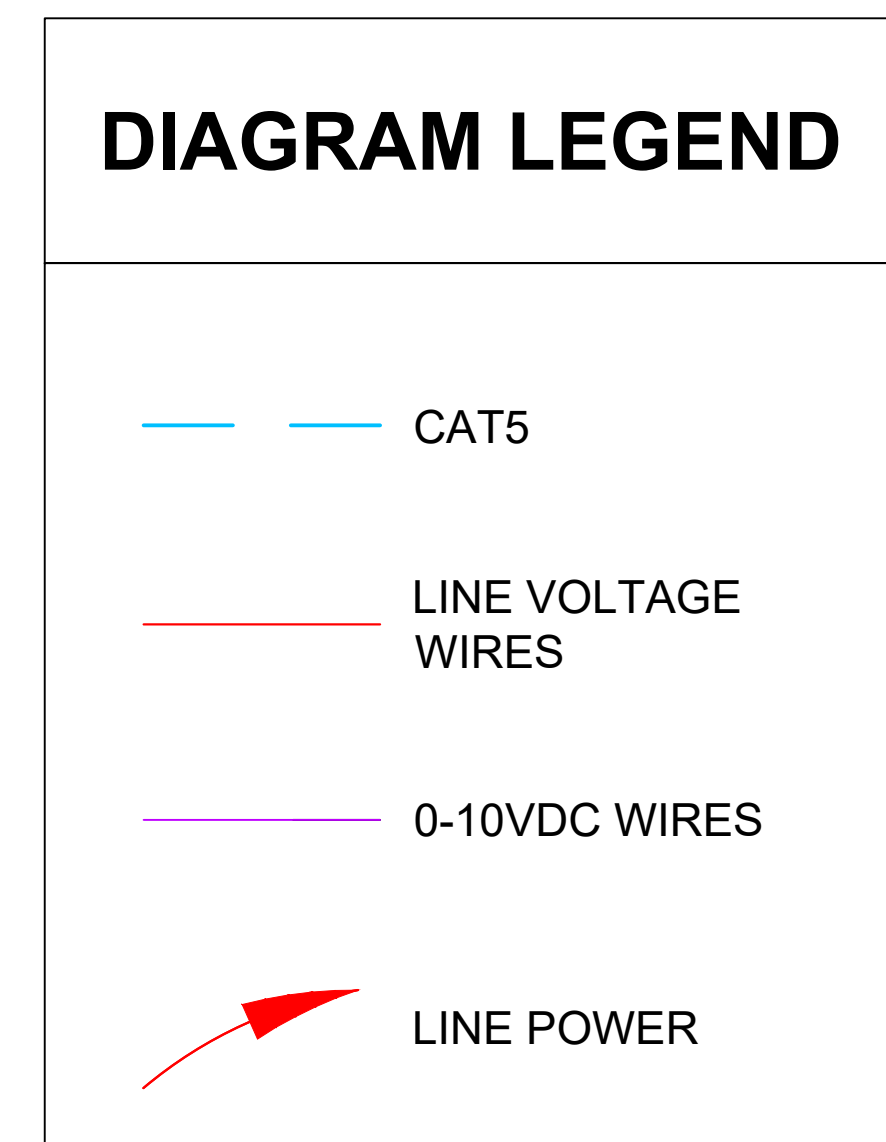
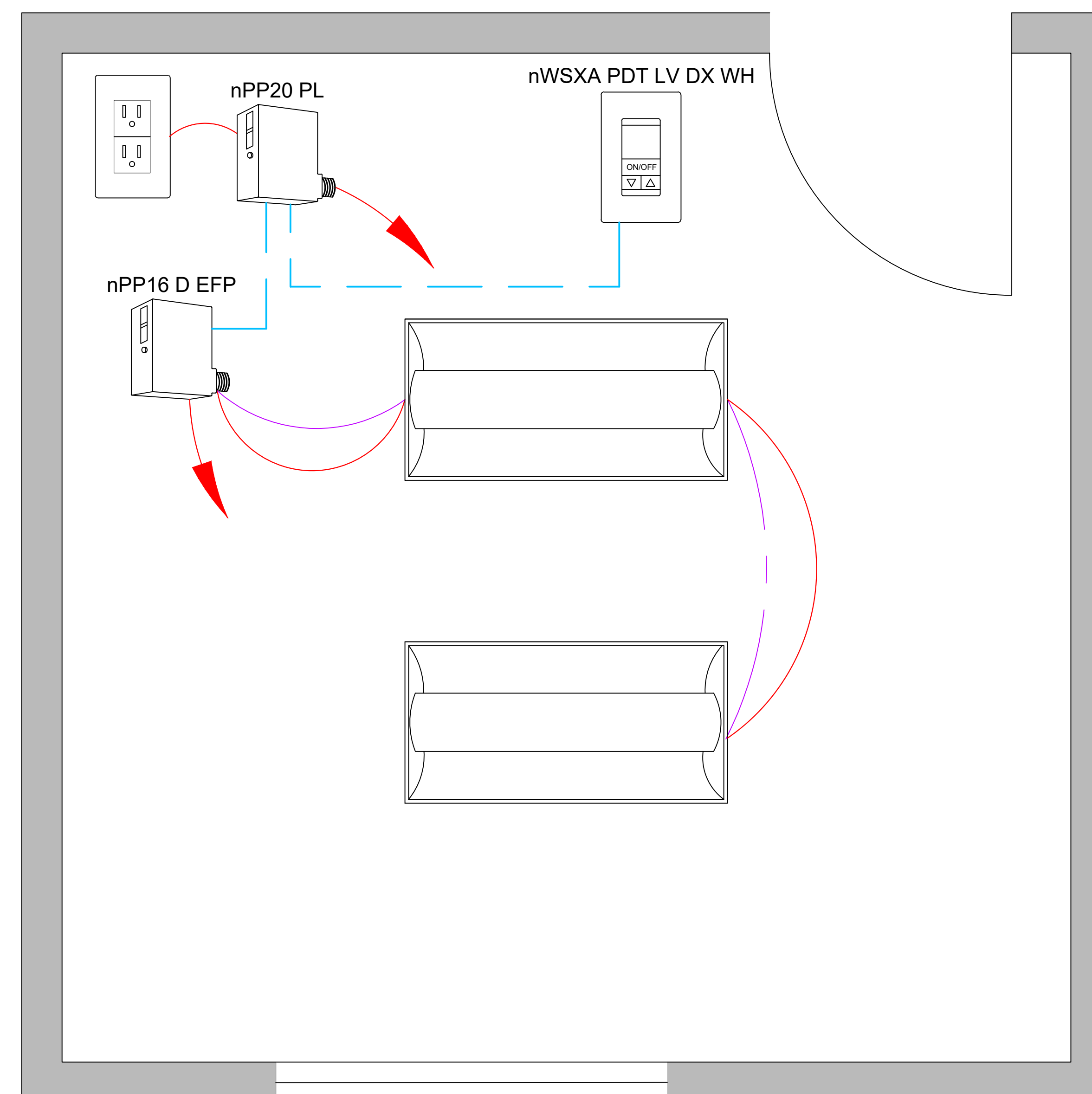


**nLIGHT:  
SMALL OFFICE - POWERPACKS**



FOR nLIGHT DESIGN ASSISTANCE OR A COMPLETE BOM ON PROJECT -  
CONTACT SDLA @ [CONTROLS@SDLTG.COM](mailto:CONTROLS@SDLTG.COM) OR (858)505-1055

**SUPPORTS THE FOLLOWING REQUIREMENTS:**

- ✓ MANUAL AREA CONTROLS  
(SECTION 130.1(a))
- ✓ MULTI-LEVEL LIGHTING CONTROLS  
(SECTION 130.1(b))
- ✓ SHUT-OFF CONTROLS  
(SECTION 130.1(c))
- ✓ AUTOMATIC DAYLIGHTING CONTROLS  
(SECTION 130.1(d))
- ✓ DEMAND REPOSE (ADR) CONTROLS  
(SECTION 130.1(e))
- ✓ CONTROLS INTERACTIONS  
(SECTION 130.1(f))
- ✓ CONTROLLED RECEPTACLES  
(SECTION 130.5(d))

SEE SDLA BASIS OF DESIGN TO COMPLY WITH TITLE 24 SECTION 120.8(c)