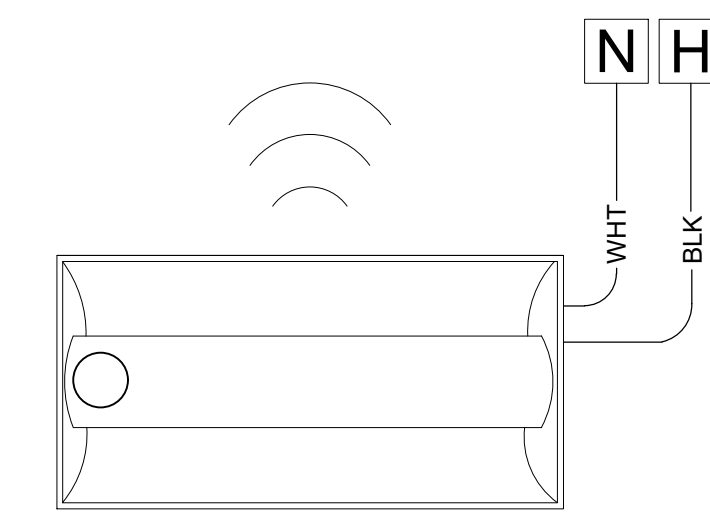
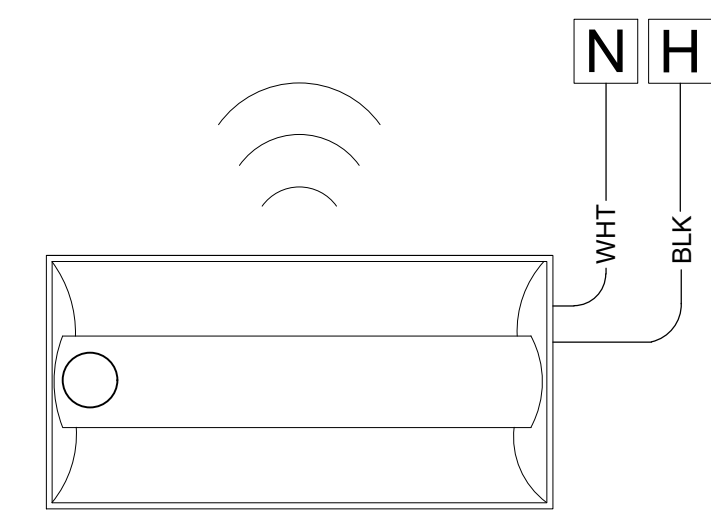


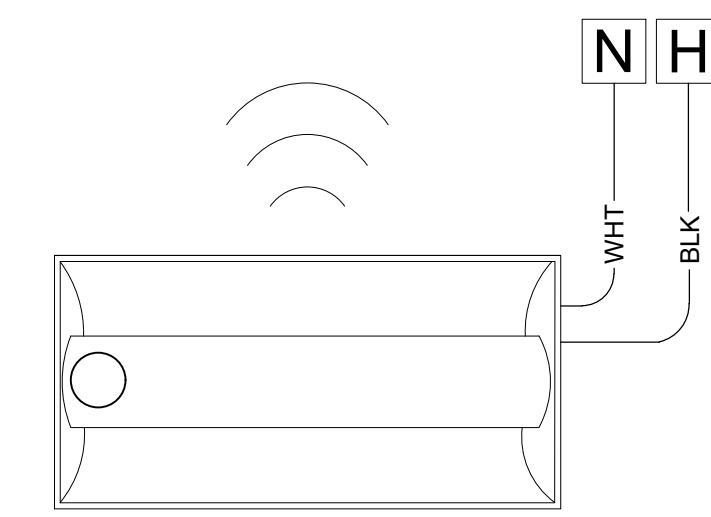
nLIGHT AIR: OPEN OFFICE - AIR ENABLED FIXTURES



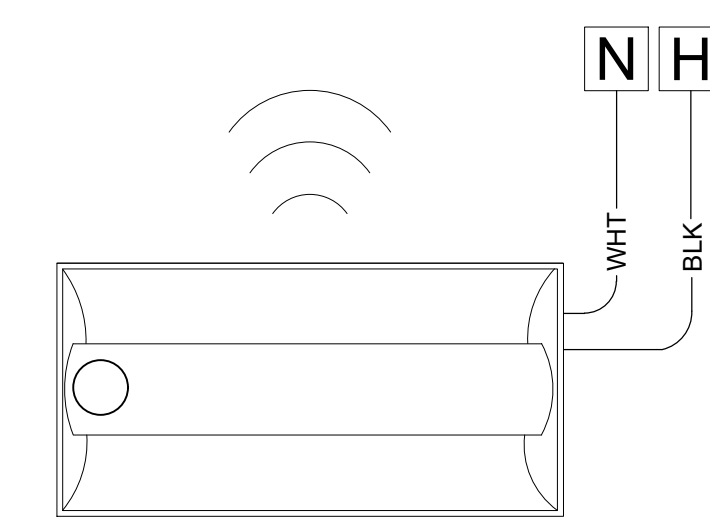
2VTL4 rES7PDT
PRIMARY DAYLIGHT
CONTROL ZONE 1



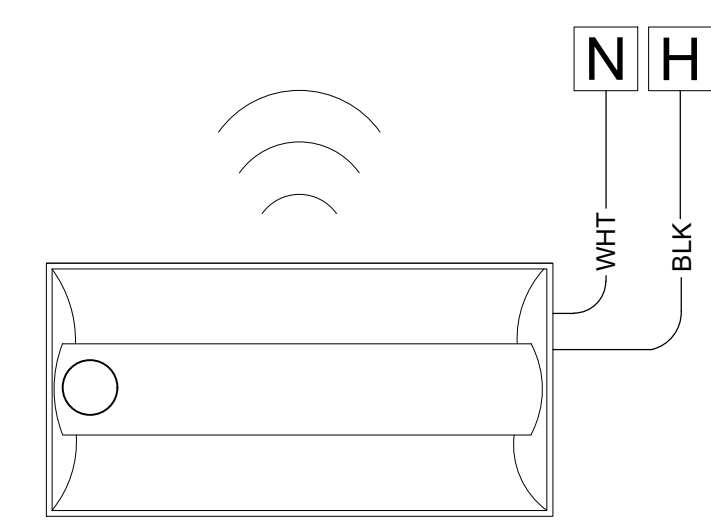
2VTL4 rES7PDT
SECONDARY DAYLIGHT
CONTROL ZONE 1



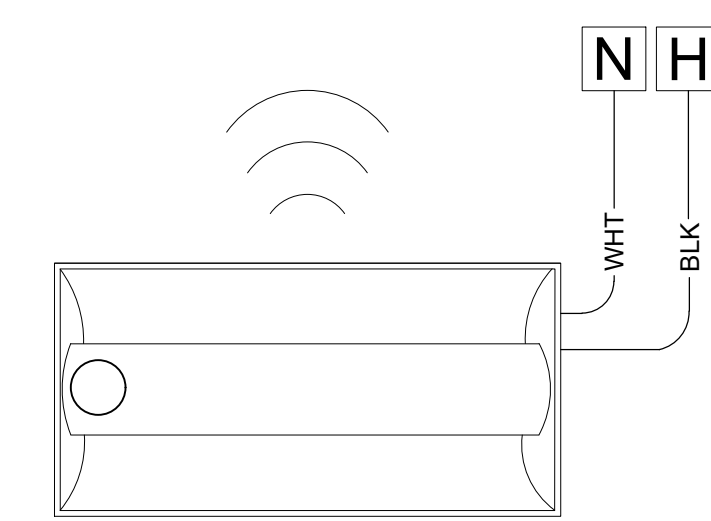
2VTL4 rES7PDT
GENERAL LIGHTING
CONTROL ZONE 1



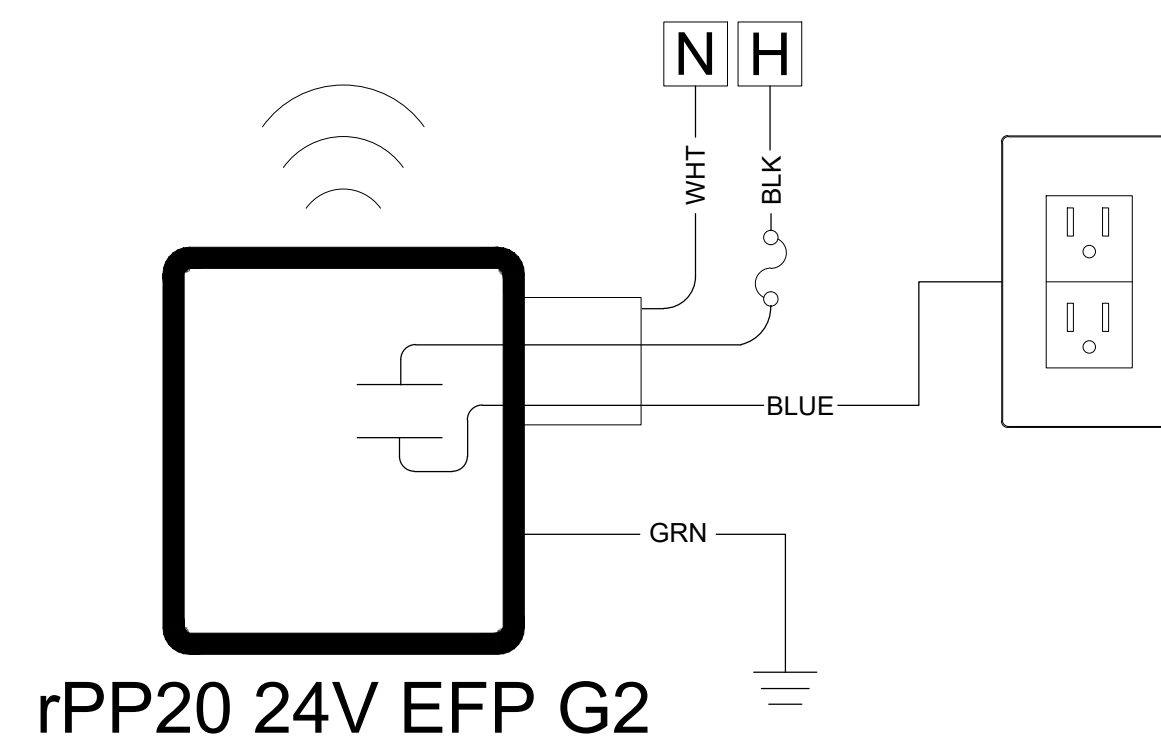
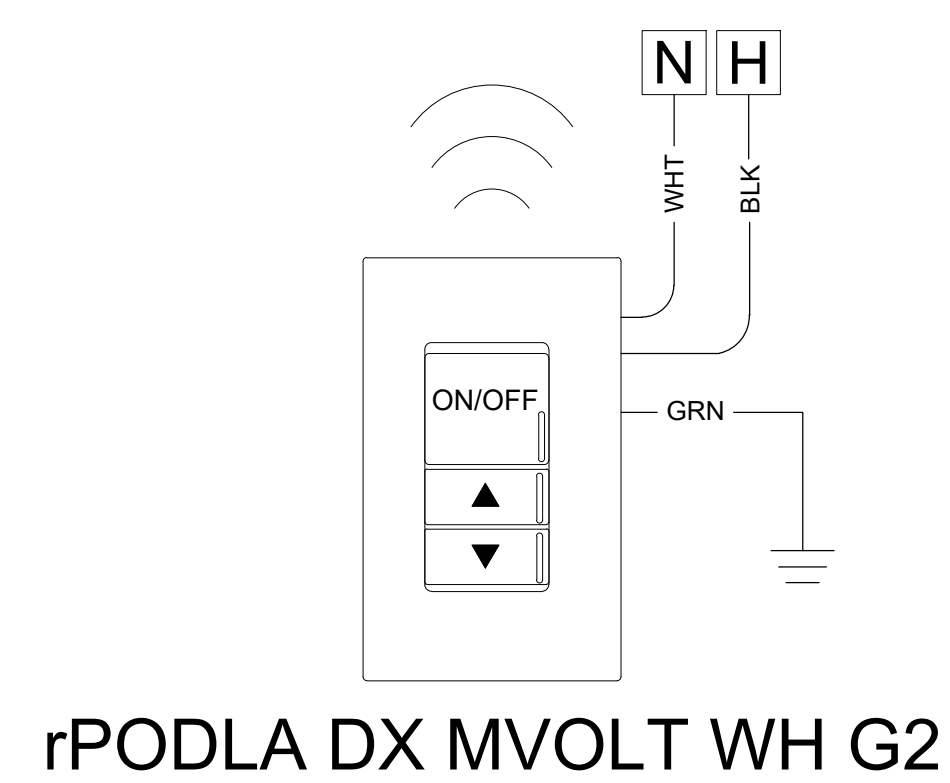
2VTL4 rES7PDT
PRIMARY DAYLIGHT
CONTROL ZONE 2



2VTL4 rES7PDT
SECONDARY DAYLIGHT
CONTROL ZONE 2



2VTL4 rES7PDT
GENERAL LIGHTING
CONTROL ZONE 2



SEE SDLA BASIS OF DESIGN TO COMPLY WITH TITLE 24 SECTION 120.8(c)

BILL OF MATERIAL

QTY	PRODUCT #	DESCRIPTION
TBD	2VTL4 xxL ADPT EZ1 LPxxx NLTAIR2 RES7PDT	INTEGRAL FIXTURE EMBEDDED COMBO STANDARD RANGE 360° SENSOR WITH DAYLIGHTING, DUAL TECHNOLOGY (PDT); WIRELESS COMMUNICATION
1	rPP20 24V EFP G2	20 AMP RELAY PACK WITH 24VDC OUTPUT, CHASE NIPPLE MOUNTING; WIRELESS COMMUNICATION
1	rPODLA DX MVOLT WH G2	1 CHANNEL ON/OFF TOGGLE WITH DIMMING, LINE POWERED; WIRELESS COMMUNICATION

SEE FLOORPLANS FOR QUANTITY OF FIXTURES AND nLIGHT COMPONENTS REQUIRED.

FOR nLIGHT DESIGN ASSISTANCE OR A COMPLETE BOM ON PROJECT - CONTACT SDLA @
CONTROLS@SDLTG.COM OR (858)505-1055

