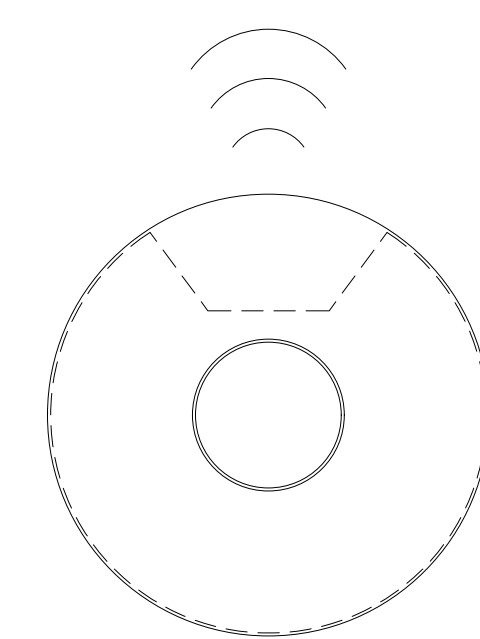
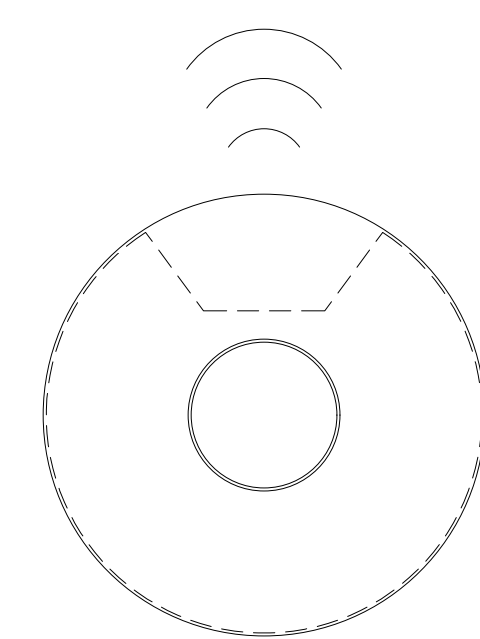


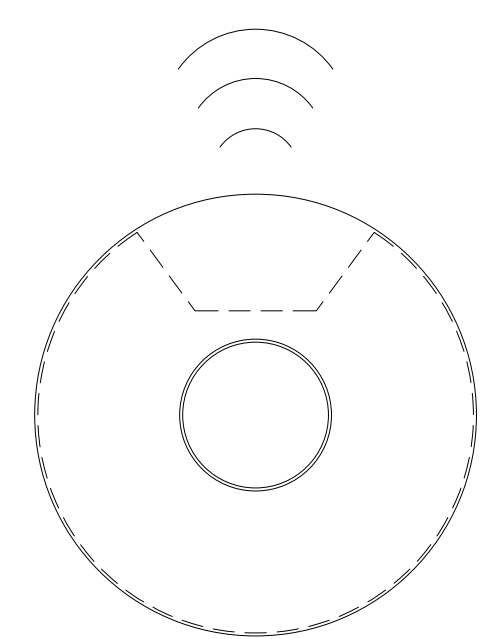
# nLIGHT AIR: CORRIDOR/STAIRWELL- POWERPACKS W/ BATTERY SENSORS



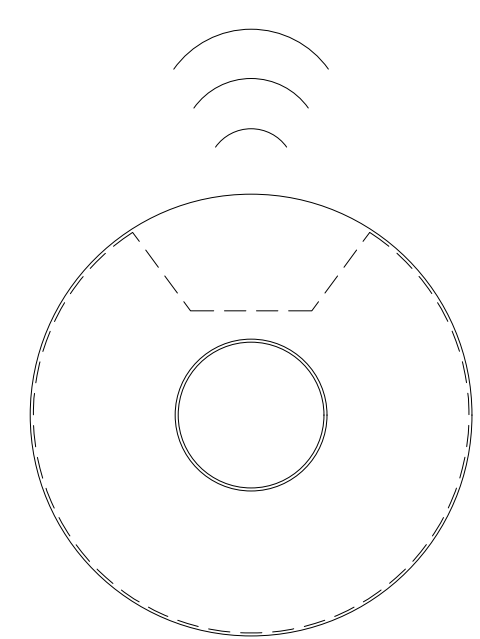
rCMSB 7 G2



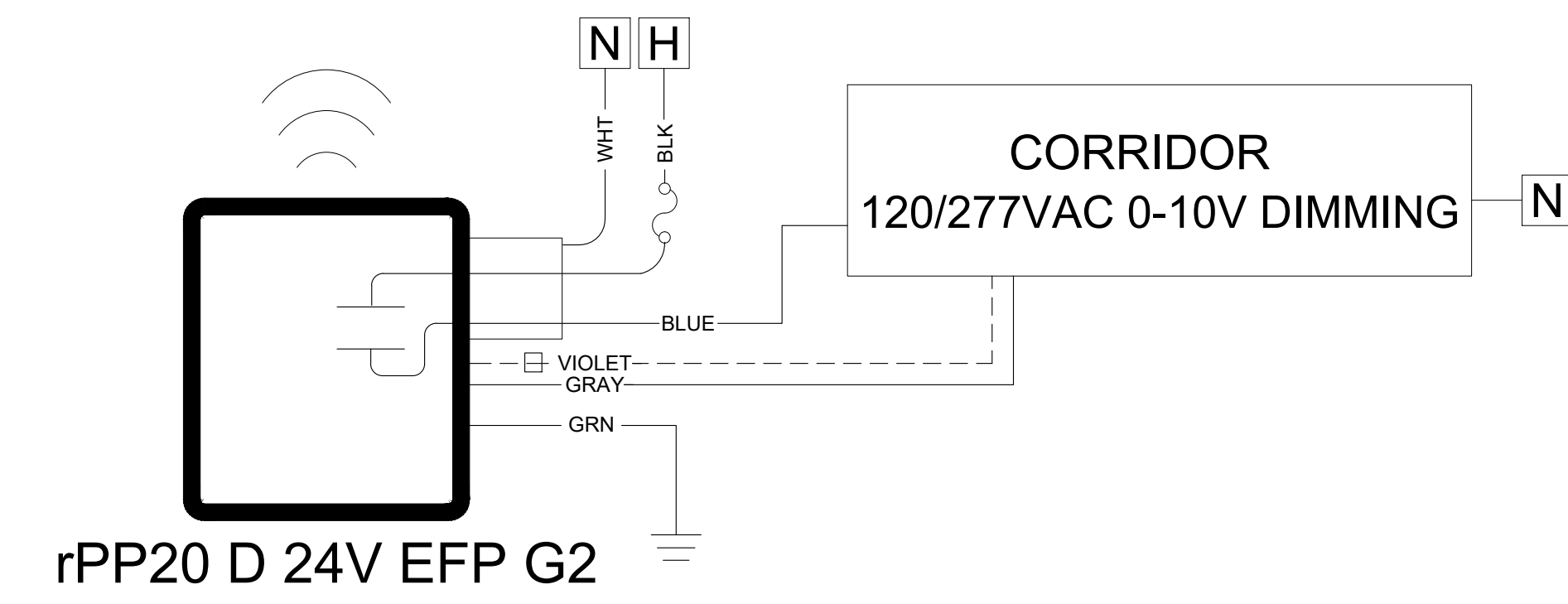
rCMSB 7 G2



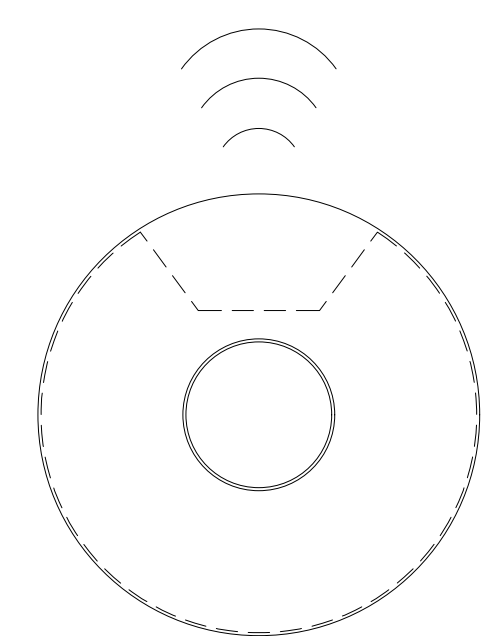
rCMSB 7 G2



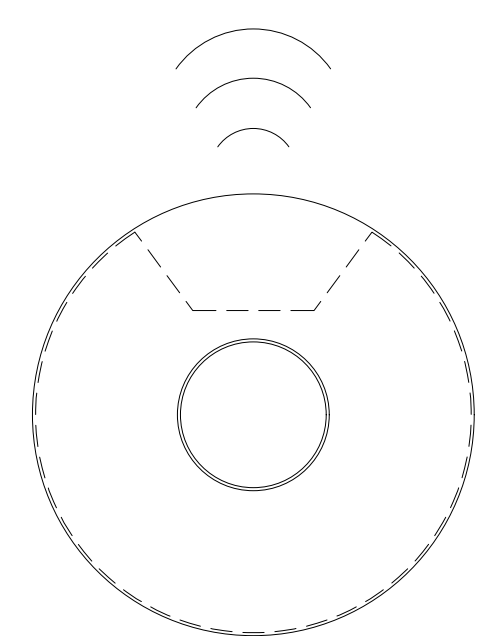
rCMSB 7 G2



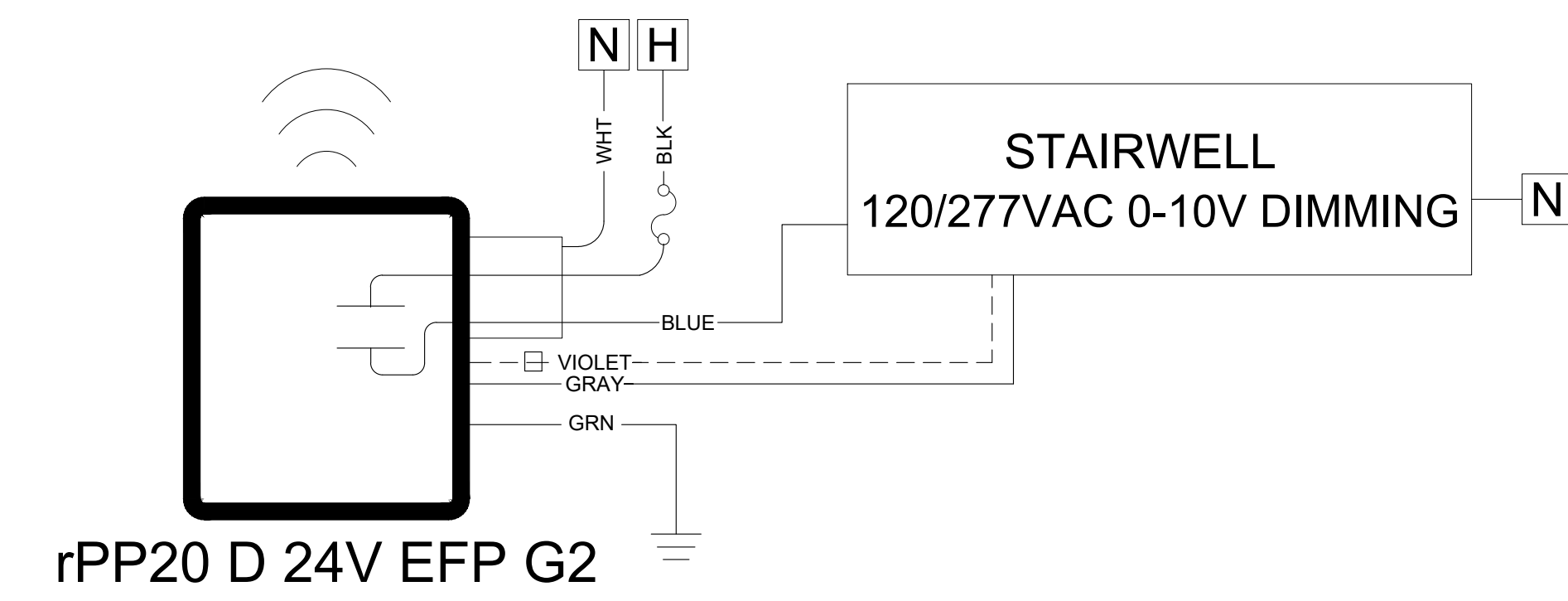
rPP20 D 24V EFP G2



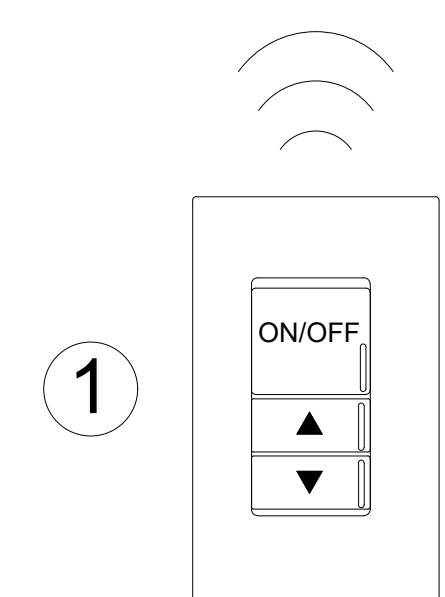
rCMSB 7 G2



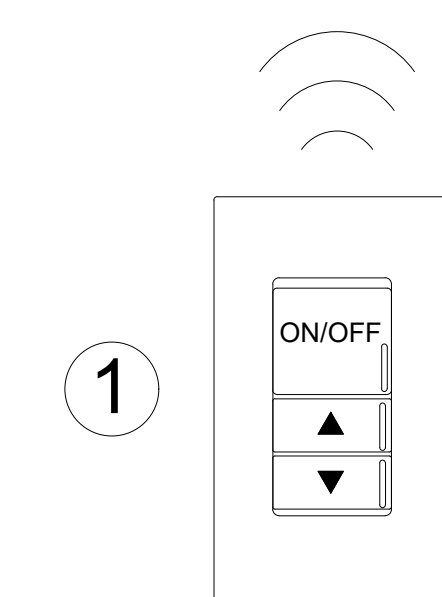
rCMSB 7 G2



rPP20 D 24V EFP G2



rPODBA DX WH G2  
CORRIDOR



rPODBA DX WH G2  
STAIRWELL

SEE SDLA BASIS OF DESIGN TO COMPLY WITH TITLE 24 SECTION 120.8(c)

BILL OF MATERIAL		
QTY	PRODUCT #	DESCRIPTION
6	rCMS 10 G2	COMBO EXTENDED RANGE 360° SENSOR WITH DAYLIGHTING-CEILING MOUNT, BATTERY POWERED, PIR, WIRELESS COMMUNICATION
2	rPP20 D 24V EFP G2	20 AMP RELAY PACK WITH 0-10V DIMMING AND 24VDC OUTPUT, CHASE NIPPLE MOUNTING; WIRELESS COMMUNICATION
2	rPODBA DX WH G2	1 CHANNEL ON/OFF TOGGLE WITH DIMMING, BATTERY POWERED; WIRELESS COMMUNICATION

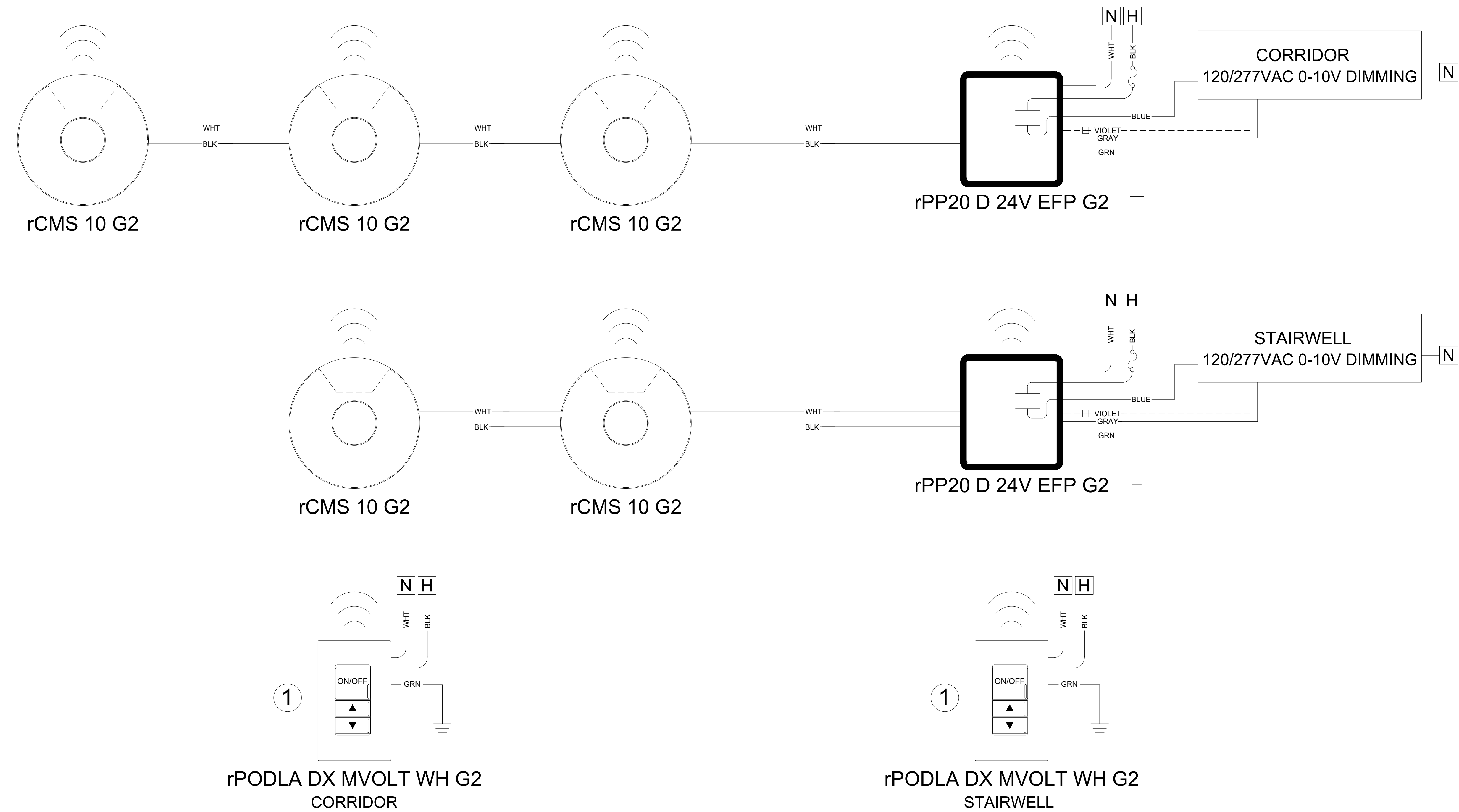
SEE FLOORPLANS FOR QUANTITY OF FIXTURES AND nLIGHT COMPONENTS REQUIRED.

FOR nLIGHT DESIGN ASSISTANCE OR A COMPLETE BOM ON PROJECT - CONTACT SDLA @ CONTROLS@SDLTG.COM OR (858)505-1055

① TO PREVENT ACCESS BY UNAUTHORIZED PERSONNEL, USE A LOCKABLE SWITCH COVER.



# nLIGHT AIR: CORRIDOR/STAIRWELL- POWERPACKS W/ 24VDC SENSORS



SEE SDLA BASIS OF DESIGN TO COMPLY WITH TITLE 24 SECTION 120.8(c)

BILL OF MATERIAL		
QTY	PRODUCT #	DESCRIPTION
5	rCMS 10 G2	COMBO EXTENDED RANGE 360° SENSOR WITH DAYLIGHTING-CEILING MOUNT, LOW VOLTAGE, PIR, WIRELESS COMMUNICATION
2	rPP20 D 24V EFP G2	20 AMP RELAY PACK WITH 0-10V DIMMING AND 24VDC OUTPUT, CHASE NIPPLE MOUNTING; WIRELESS COMMUNICATION
2	rPODLA DX MVOLT WH G2	1 CHANNEL ON/OFF TOGGLE WITH DIMMING, LINE POWERED; WIRELESS COMMUNICATION

SEE FLOORPLANS FOR QUANTITY OF FIXTURES AND nLIGHT COMPONENTS REQUIRED.  
FOR nLIGHT DESIGN ASSISTANCE OR A COMPLETE BOM ON PROJECT - CONTACT SDLA @  
CONTROLS@SDLTG.COM OR (858)505-1055

① TO PREVENT ACCESS BY UNAUTHORIZED PERSONNEL, USE A LOCKABLE SWITCH COVER.

