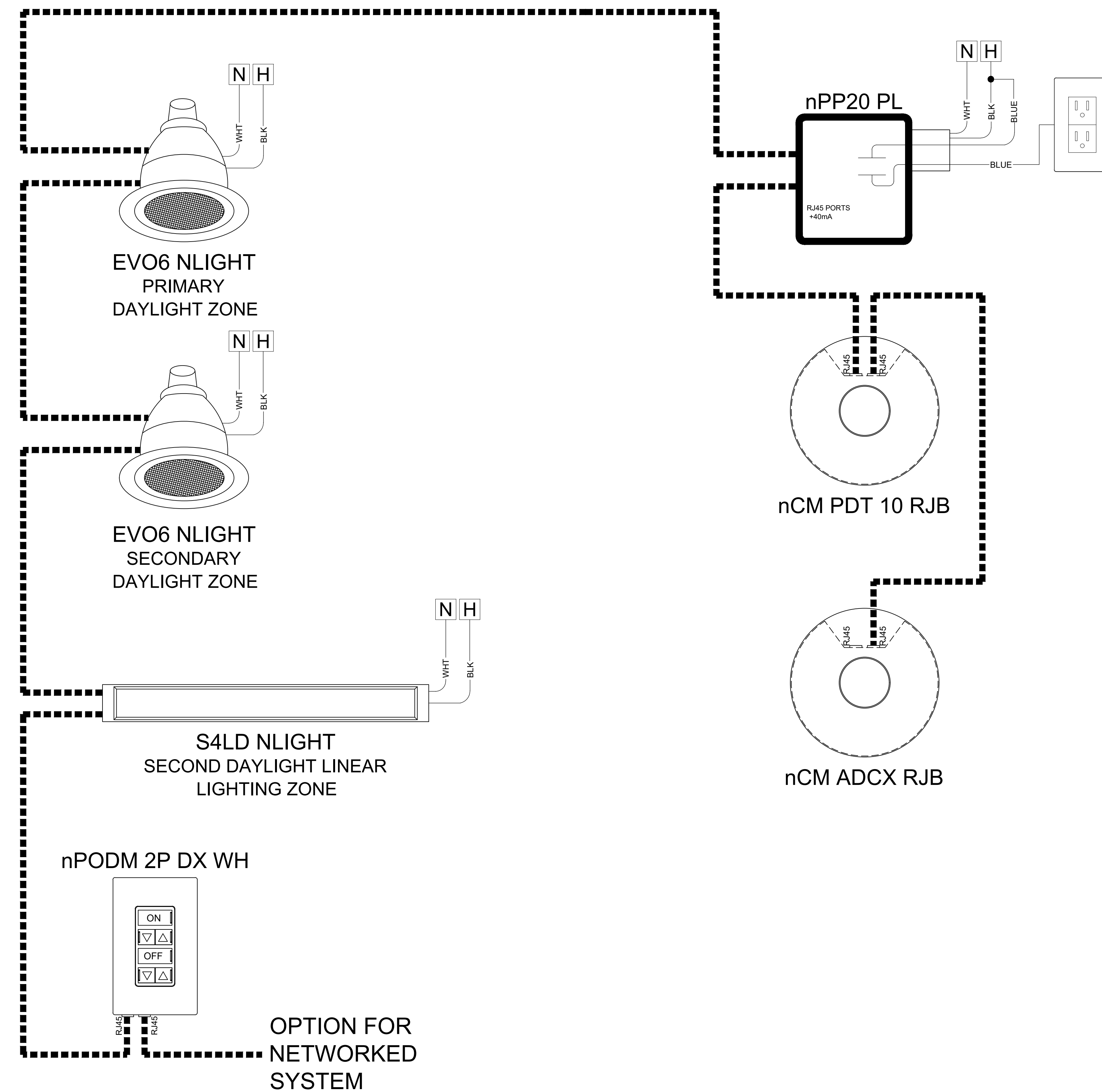


# nLIGHT: CONFERENCE - nLIGHT ENABLED FIXTURES



SEE SDLA BASIS OF DESIGN TO COMPLY WITH TITLE 24 SECTION 120.8(c)

## BILL OF MATERIAL

QTY	PRODUCT #	DESCRIPTION
TBD	EVO6 xx/xx AR xx Lxx xxx EZ1 NLT	INTEGRAL FIXTURE EMBEDDED POWERPACK
TBD	S4LD LLP xFT MSLx 80CRI xxK xxLMF MIN1 xxx xxx NLTAIR2 Fx/xxA xxCY xxxCY xCRD	INTEGRAL FIXTURE EMBEDDED POWERPACK; WIRELESS COMMUNICATION
1	nPODM 2P DX WH	2 CHANNEL ON/OFF TOGGLE WITH DIMMING
1	nPP20 PL	20 AMP RELAY PACK FOR PLUG LOAD CONTROL, CHASE NIPPLE MOUNTING
1	nCM ADCX RJB	AUTOMATIC DIMMING CONTROL PHOTOCELL- CEILING MOUNT, LOW VOLTAGE
1	nCM PDT 10 RJB	EXTENDED RANGE 360° SENSOR-CEILING MOUNT, LOW VOLTAGE, PASSIVE DUAL TECHNOLOGY (PDT)

SEE FLOORPLANS FOR QUANTITY OF FIXTURES AND nLIGHT COMPONENTS REQUIRED.

FOR nLIGHT DESIGN ASSISTANCE OR A COMPLETE BOM ON PROJECT - CONTACT SDLA @  
CONTROLS@SDLTG.COM OR (858)505-1055

