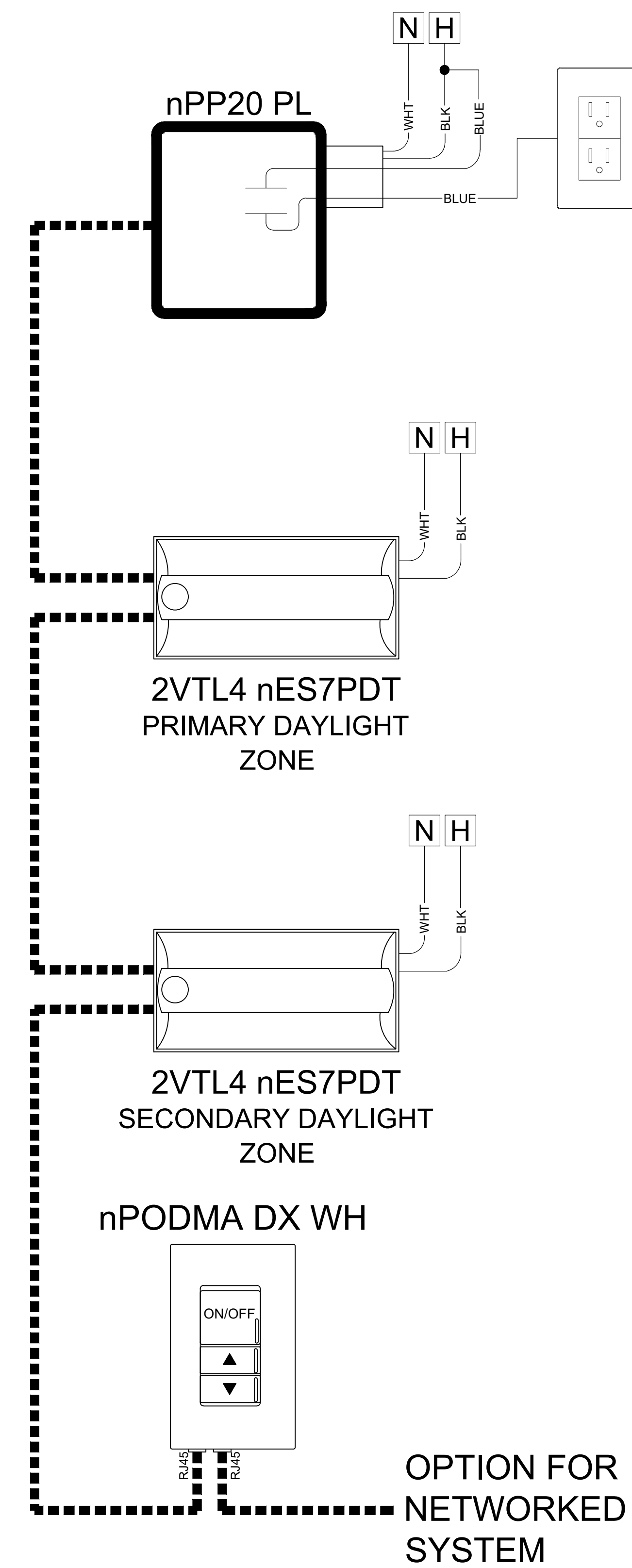


nLIGHT: LARGE OFFICE - nLIGHT ENABLED FIXTURES



SEE SDLA BASIS OF DESIGN TO COMPLY WITH TITLE 24 SECTION 120.8(c)

BILL OF MATERIAL

QTY	PRODUCT #	DESCRIPTION
TBD	2VTL4 xxL ADPT EZ1 LPxxx N100 NES7PDT	INTEGRAL FIXTURE EMBEDDED COMBO STANDARD RANGE 360° SENSOR WITH DAYLIGHTING, DUAL TECHNOLOGY (PDT)
1	nPODMA DX WH	SINGLE CHANNEL ON/OFF TOGGLE WITH DIMMING
1	nPP20 PL	20 AMP RELAY PACK FOR PLUG LOAD CONTROL, CHASE NIPPLE MOUNTING

SEE FLOORPLANS FOR QUANTITY OF FIXTURES AND nLIGHT COMPONENTS REQUIRED.

FOR nLIGHT DESIGN ASSISTANCE OR A COMPLETE BOM ON PROJECT - CONTACT SDLA @
CONTROLS@SDLTG.COM OR (858)505-1055

