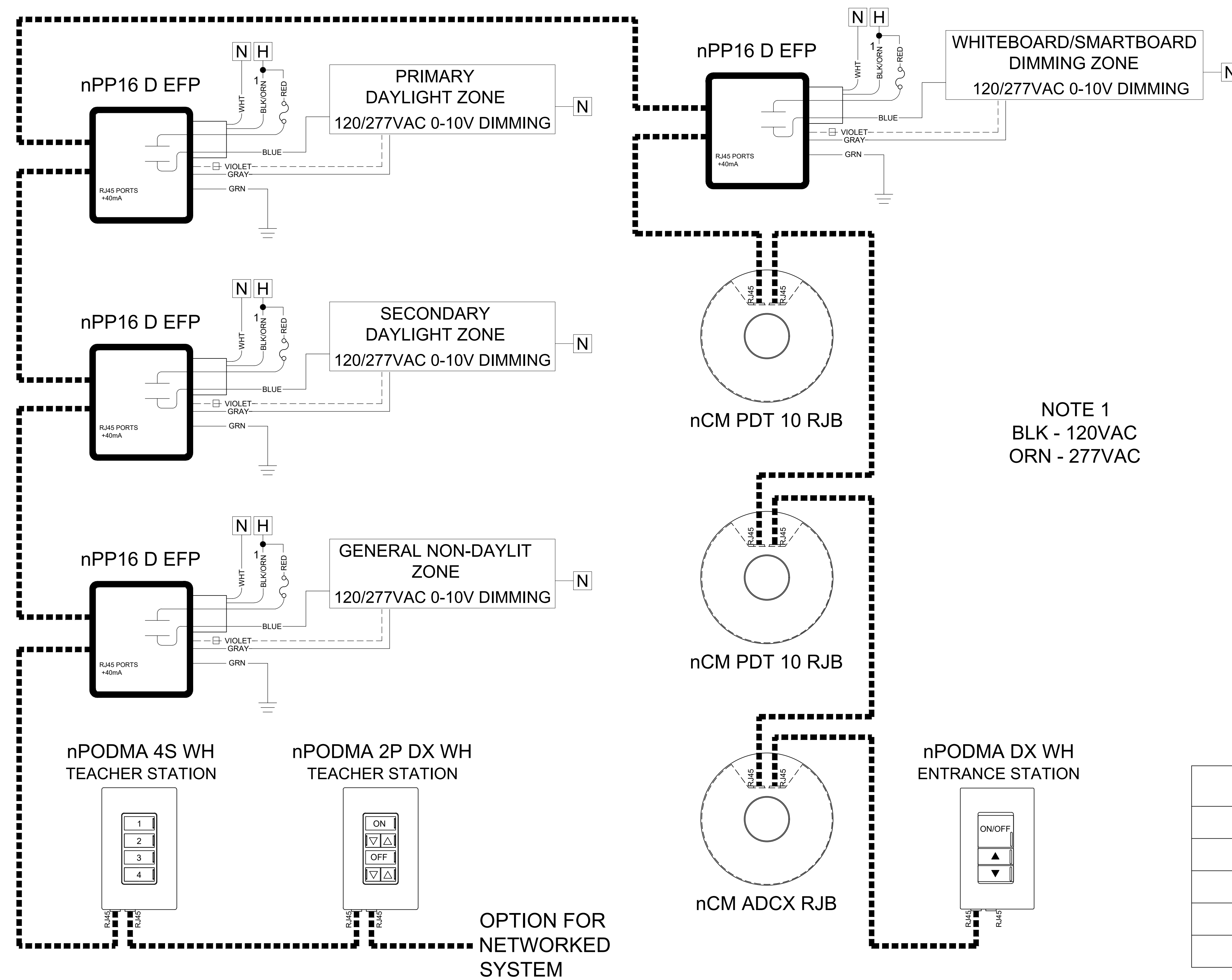


nLIGHT: CLASSROOM - POWERPACKS



SCENE SELECTOR	
SCENES	LIGHTING LEVELS
1	100%
2	AV MODE
3	25%
4	OFF

SEE SDLA BASIS OF DESIGN TO COMPLY WITH TITLE 24 SECTION 120.8(c)

BILL OF MATERIAL		
QTY	PRODUCT #	DESCRIPTION
1	nPODMA 4S WH	4 PRESET SCENE SELECTOR
1	nPODMA 2P DX WH	2 CHANNEL ON/OFF TOGGLE WITH DIMMING
1	nPODMA DX WH	SINGLE CHANNEL ON/OFF TOGGLE WITH DIMMING
1	nCM ADCX RJB	AUTOMATIC DIMMING CONTROL PHOTOCELL- CEILING MOUNT, LOW VOLTAGE
2	nCM PDT 10 RJB	EXTENDED RANGE 360° SENSOR-CEILING MOUNT, LOW VOLTAGE, DUAL TECHNOLOGY (PDT)
4	nPP16 D EFP	16 AMP RELAY PACK WITH 0-10V DIMMING CONTROL; CHASE NIPPLE MOUNTING

SEE FLOORPLANS FOR QUANTITY OF FIXTURES AND nLIGHT COMPONENTS REQUIRED.

FOR nLIGHT DESIGN ASSISTANCE OR A COMPLETE BOM ON PROJECT - CONTACT SDLA @ CONTROLS@SDLTG.COM OR (858)505-1055

