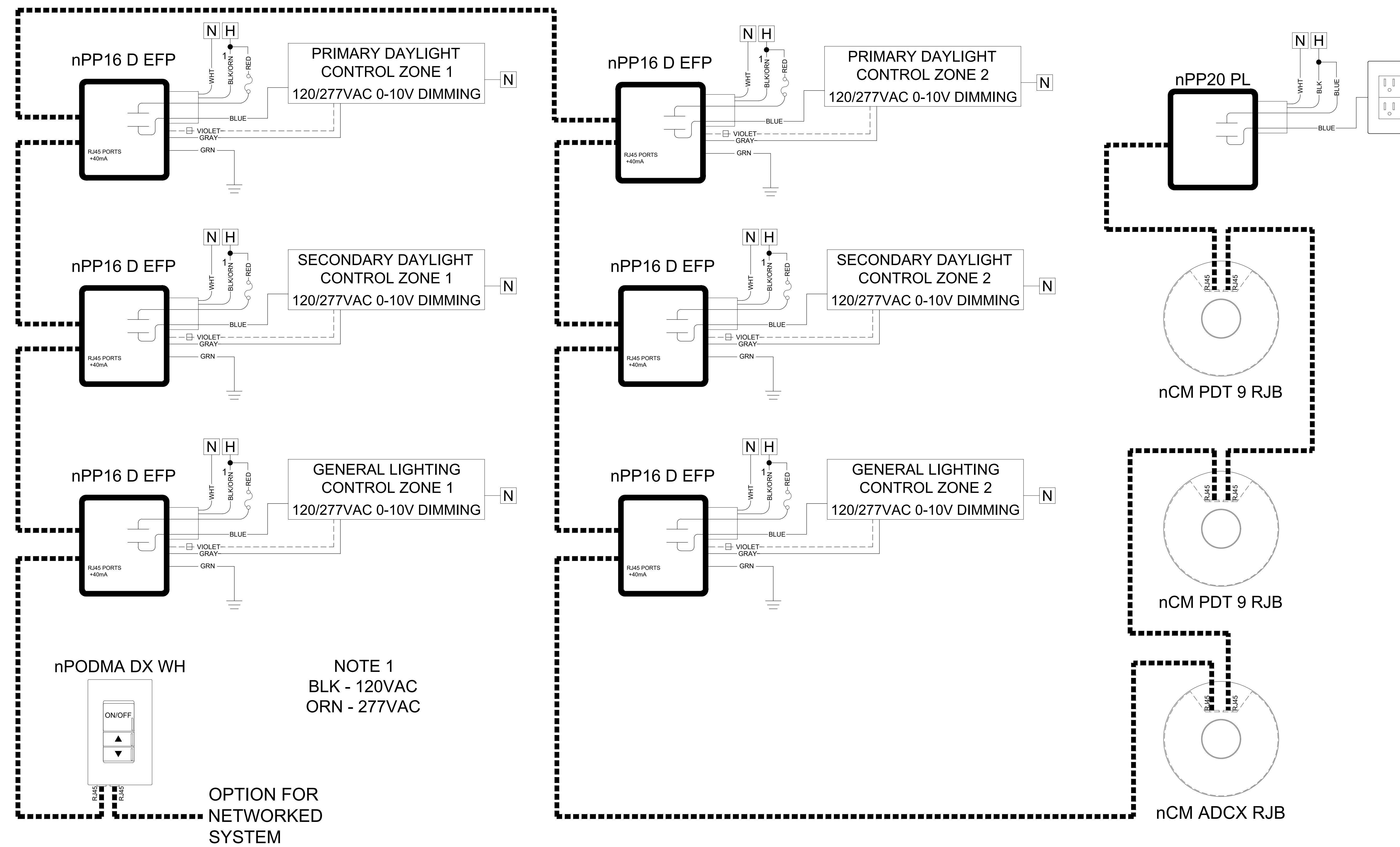


nLIGHT: OPEN OFFICE - POWERPACKS



SEE SDLA BASIS OF DESIGN TO COMPLY WITH TITLE 24 SECTION 120.8(c)

BILL OF MATERIAL

QTY	PRODUCT #	DESCRIPTION
1	nPODMA DX WH	SINGLE CHANNEL ON/OFF TOGGLE WITH DIMMING
6	nPP16 D EFP	16 AMP RELAY PACK WITH 0-10V DIMMING CONTROL, CHASE NIPPLE MOUNTING
1	nPP20 PL	20 AMP RELAY PACK FOR PLUG LOAD CONTROL, CHASE NIPPLE MOUNTING
1	nCM ADCX RJB	AUTOMATIC DIMMING CONTROL PHOTOCELL, CEILING MOUNT, LOW VOLTAGE
2	nCM PDT 9 RJB	STANDARD RANGE 360° SENSOR-CEILING MOUNT, LOW VOLTAGE, PASSIVE DUAL TECHNOLOGY (PDT)

SEE FLOORPLANS FOR QUANTITY OF FIXTURES AND nLIGHT COMPONENTS REQUIRED.

FOR nLIGHT DESIGN ASSISTANCE OR A COMPLETE BOM ON PROJECT - CONTACT SDLA @ CONTROLS@SDLTG.COM OR (858)505-1055

