

nLIGHT AIR:
OPEN OFFICE - AIR ENABLED FIXTURES

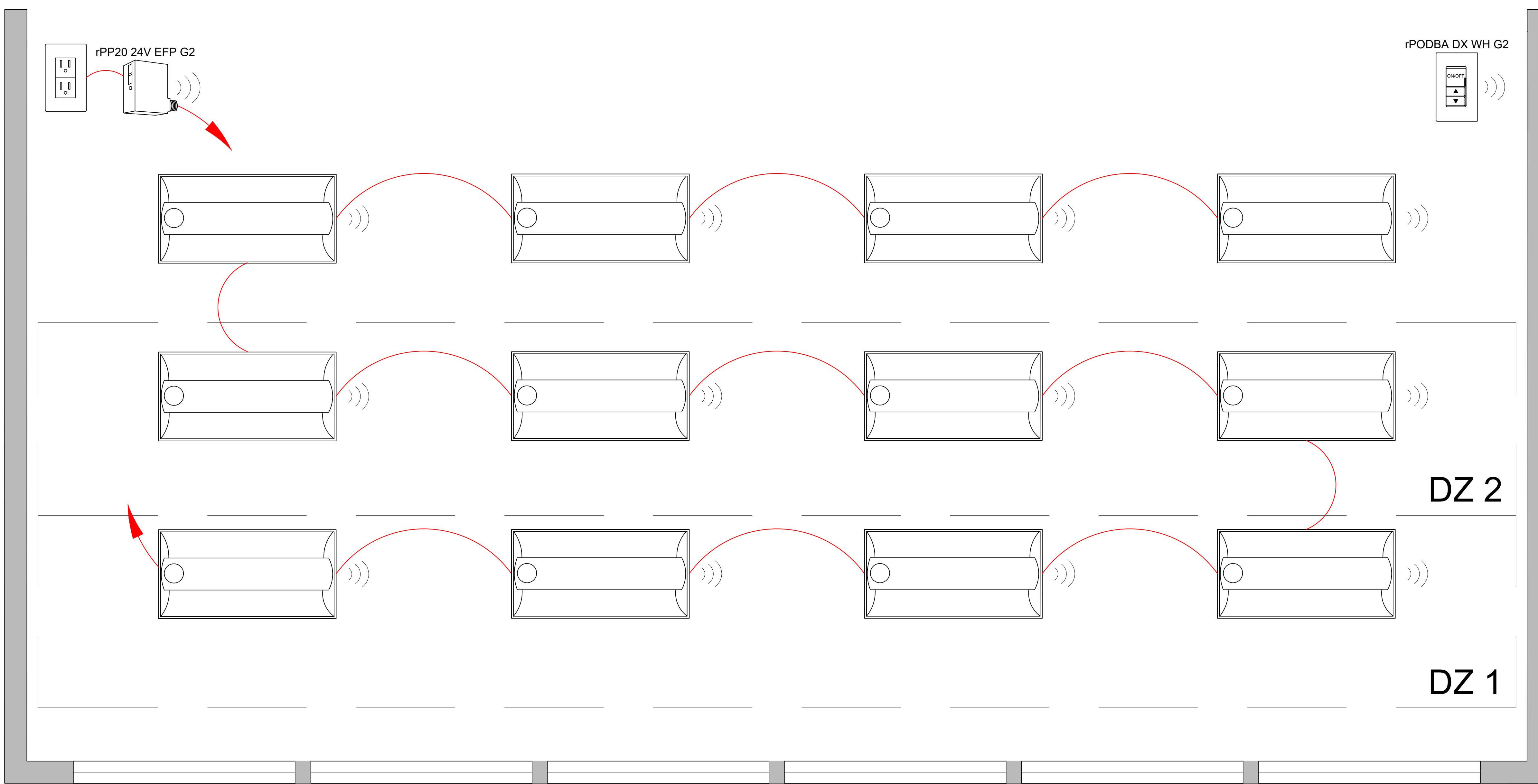








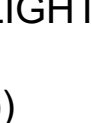
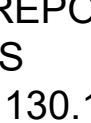
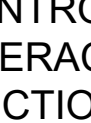
DIAGRAM LEGEND

-  LINE VOLTAGE WIRES
-  LINE POWER



FOR nLIGHT DESIGN ASSISTANCE OR A COMPLETE BOM ON PROJECT - CONTACT SDLA @ CONTROLS@SDLTG.COM OR (858)505-1055

SUPPORTS THE FOLLOWING REQUIREMENTS:

-  MANUAL AREA CONTROLS (SECTION 130.1(a))
-  MULTI-LEVEL LIGHTING CONTROLS (SECTION 130.1(b))
-  SHUT-OFF CONTROLS (SECTION 130.1(c))
-  AUTOMATIC DAYLIGHTING CONTROLS (SECTION 130.1(d))
-  DEMAND REPOSE (ADR) CONTROLS (SECTION 130.1(e))
-  CONTROLS INTERACTIONS (SECTION 130.1(f))
-  CONTROLLED RECEPTACLES (SECTION 130.5(d))

SEE SDLA BASIS OF DESIGN TO COMPLY WITH TITLE 24 SECTION 120.8(c)