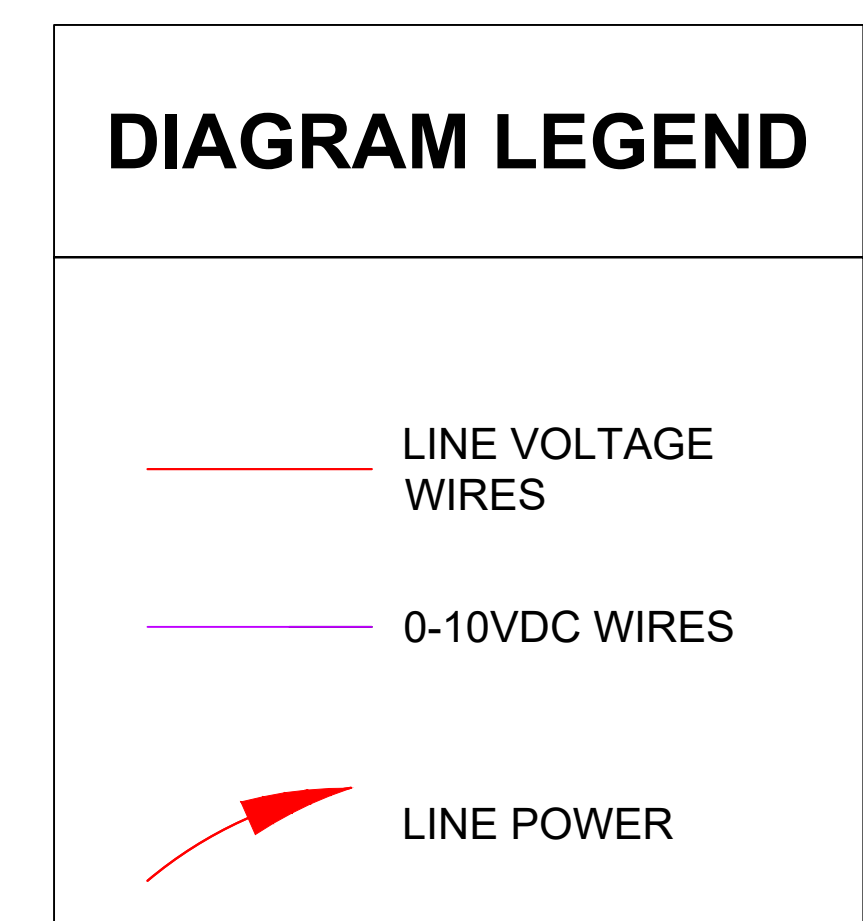
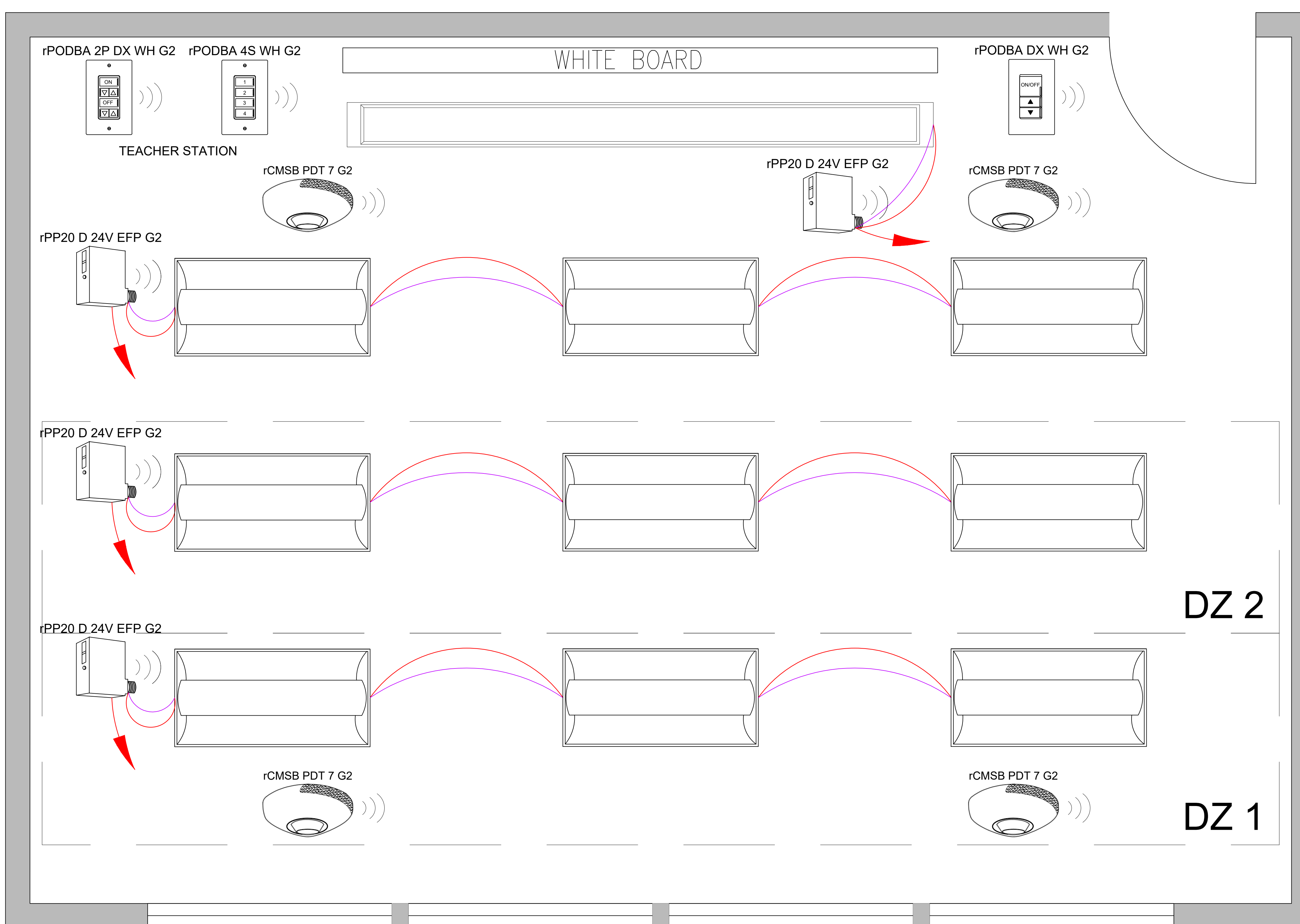


**nLIGHT AIR:**  
**CLASSROOM - POWERPACKS W/ BATTERY SENSORS**



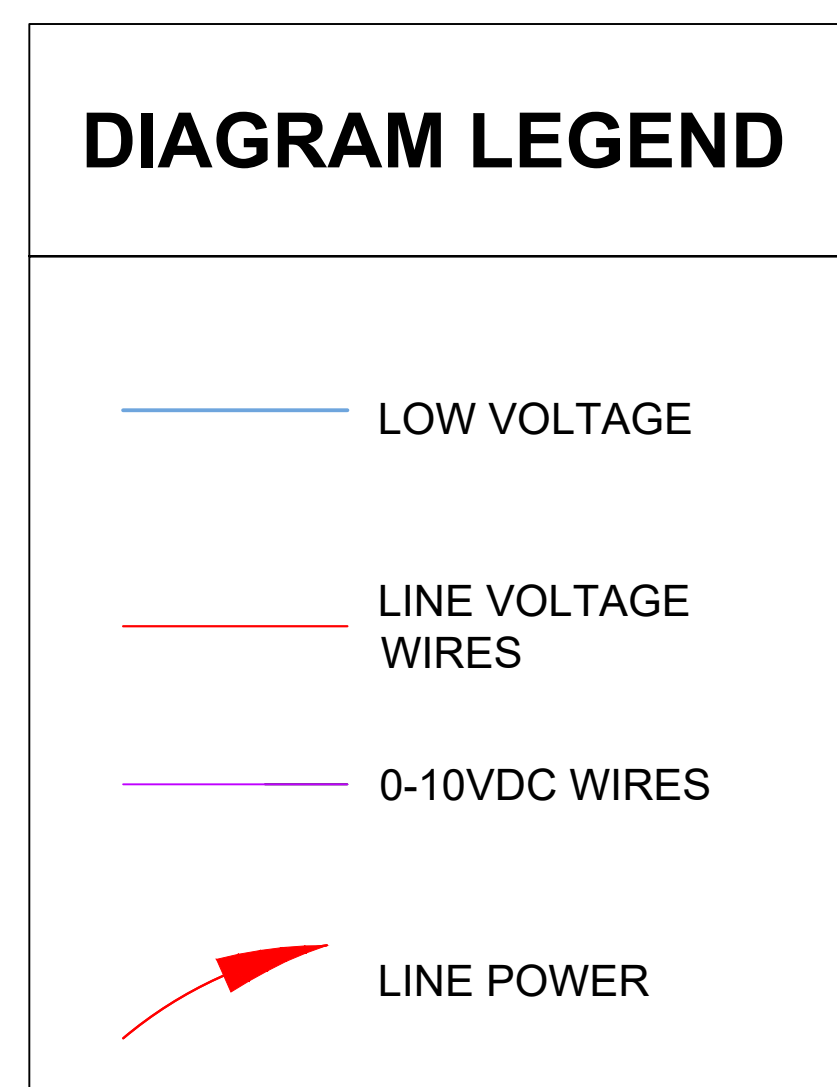
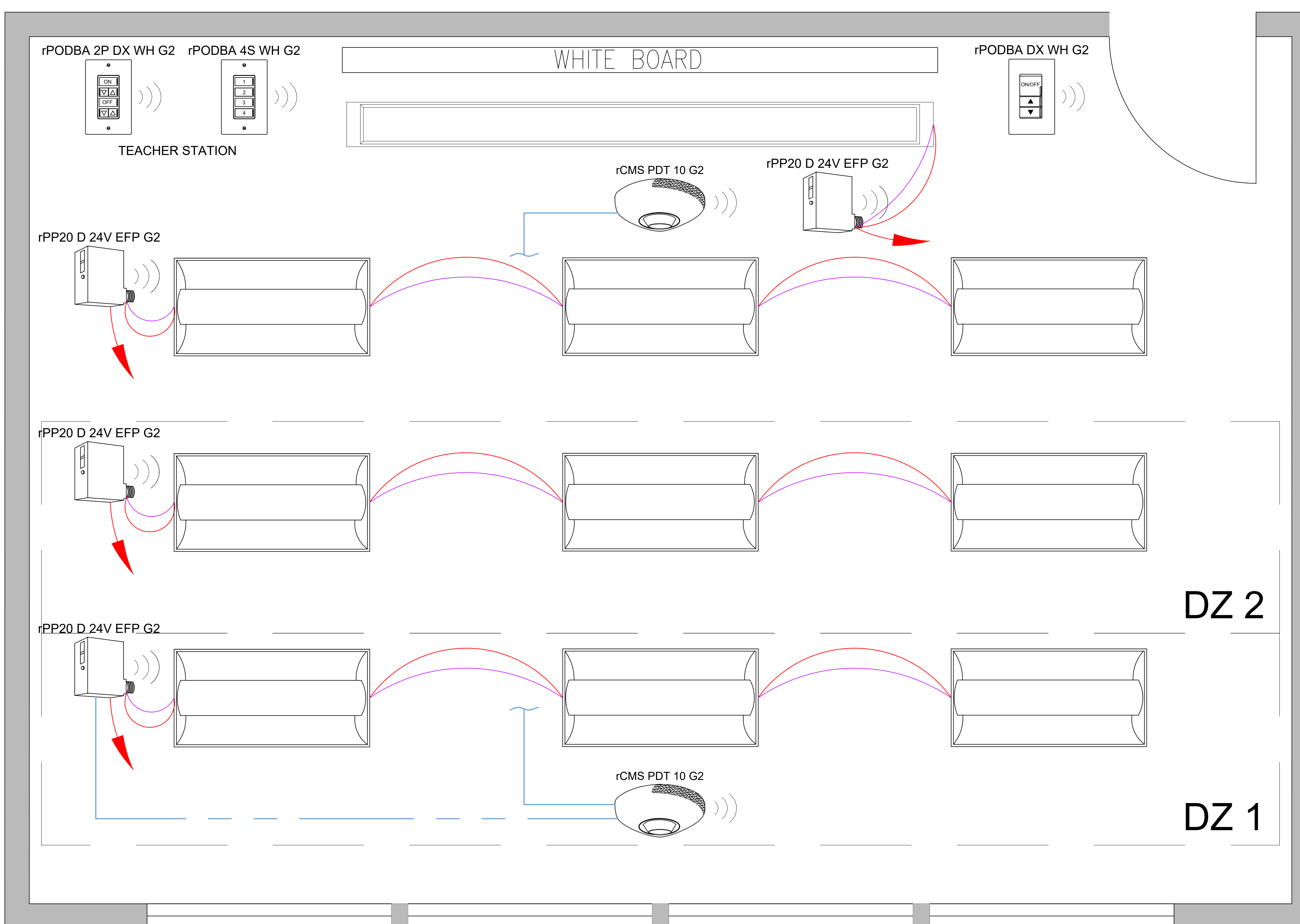
FOR nLIGHT DESIGN ASSISTANCE OR A COMPLETE BOM ON PROJECT - CONTACT SDLA @ [CONTROLS@SDLTG.COM](mailto:CONTROLS@SDLTG.COM) OR (858)505-1055

**SUPPORTS THE FOLLOWING REQUIREMENTS:**

- ✓ MANUAL AREA CONTROLS (SECTION 130.1(a))
- ✓ MULTI-LEVEL LIGHTING CONTROLS (SECTION 130.1(b))
- ✓ SHUT-OFF CONTROLS (SECTION 130.1(c))
- ✓ AUTOMATIC DAYLIGHTING CONTROLS (SECTION 130.1(d))
- ✓ DEMAND REPOSE (ADR) CONTROLS (SECTION 130.1(e))
- ✓ CONTROLS INTERACTIONS (SECTION 130.1(f))
- ✓ CONTROLLED RECEPTACLES (SECTION 130.5(d))

SEE SDLA BASIS OF DESIGN TO COMPLY WITH TITLE 24 SECTION 120.8(c)

**nLIGHT AIR:**  
**CLASSROOM - POWERPACKS W/ 24VDC SENSORS**



FOR nLIGHT DESIGN ASSISTANCE OR A COMPLETE BOM ON PROJECT -  
 CONTACT SDLA @ [CONTROLS@SDLTG.COM](mailto:CONTROLS@SDLTG.COM) OR (858)505-1055

**SUPPORTS THE FOLLOWING REQUIREMENTS:**

- ✓ MANUAL AREA CONTROLS (SECTION 130.1(a))
- ✓ MULTI-LEVEL LIGHTING CONTROLS (SECTION 130.1(b))
- ✓ SHUT-OFF CONTROLS (SECTION 130.1(c))
- ✓ AUTOMATIC DAYLIGHTING CONTROLS (SECTION 130.1(d))
- ✓ DEMAND RESPONSE (ADR) CONTROLS (SECTION 130.1(e))
- ✓ CONTROLS INTERACTIONS (SECTION 130.1(f))
- ✓ CONTROLLED RECEPTACLES (SECTION 130.5(d))

SEE SDLA BASIS OF DESIGN TO COMPLY WITH TITLE 24 SECTION 120.8(c)