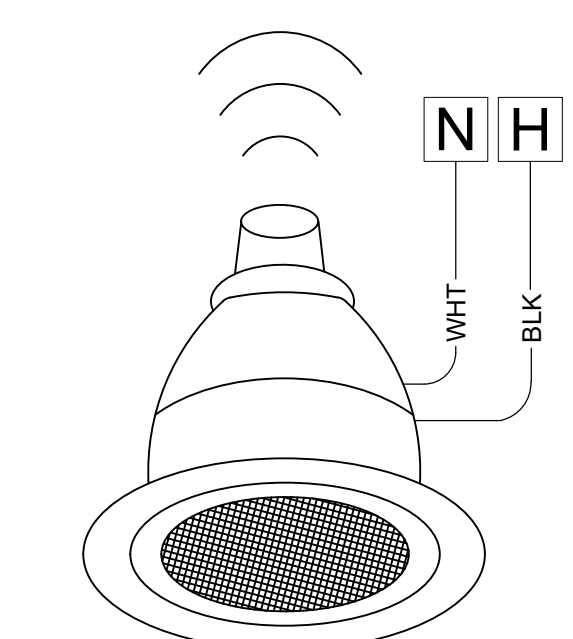
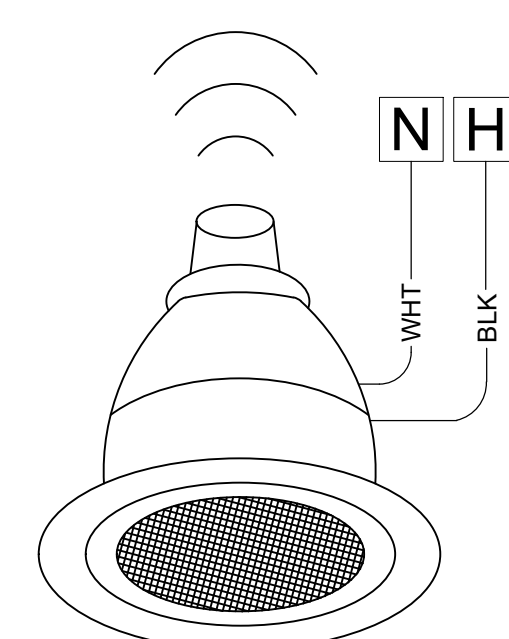


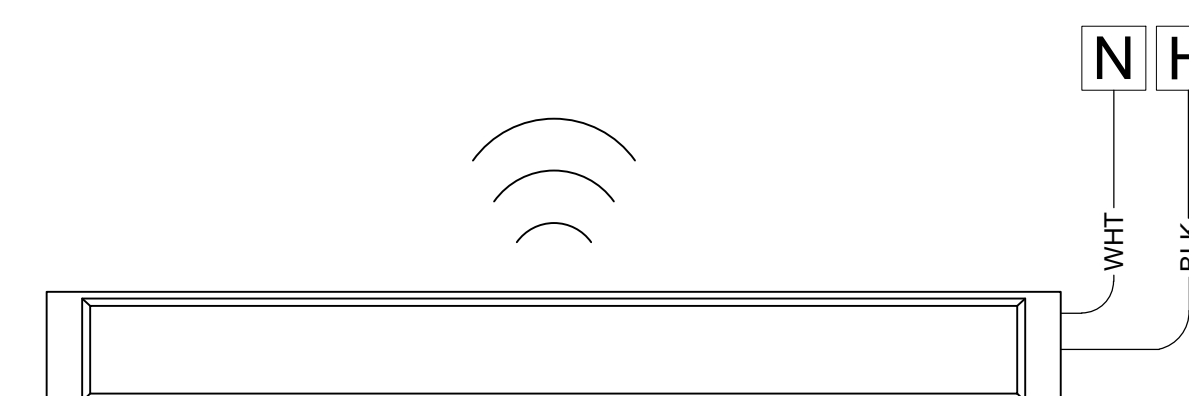
nLIGHT AIR: CONFERENCE - AIR ENABLED FIXTURES



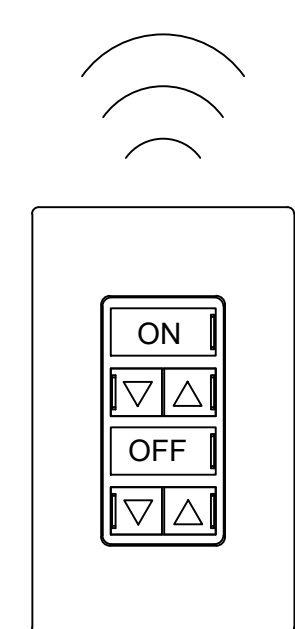
EVO6 NLTAIR2
PRIMARY
DAYLIGHT ZONE



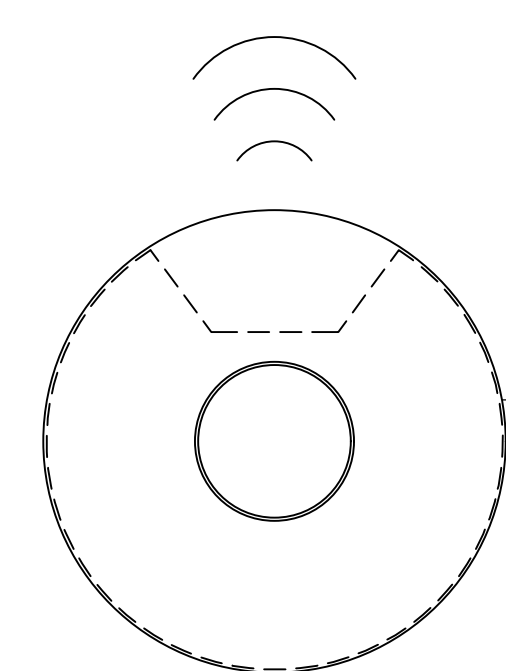
EVO6 NLTAIR2
SECONDARY
DAYLIGHT ZONE



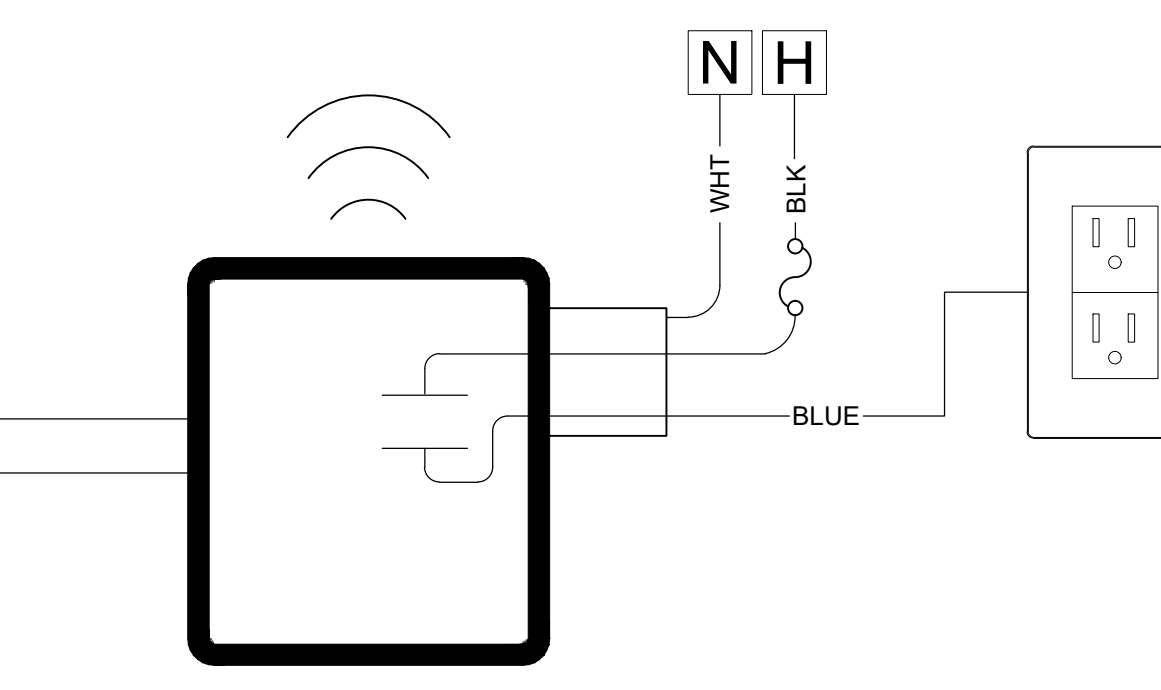
S4LD NLTAIR2
SECOND DAYLIGHT LINEAR
LIGHTING ZONE



rPODBA 2P DX WH G2



rCMS PDT 10 G2



rPP20 24V EFP G2

SEE SDLA BASIS OF DESIGN TO COMPLY WITH TITLE 24 SECTION 120.8(c)

BILL OF MATERIAL

QTY	PRODUCT #	DESCRIPTION
TBD	EVO6 xx/xx AR xx Lxx MVOLT EZ1 NLTAIR2	INTEGRAL FIXTURE EMBEDDED POWERPACK; WIRELESS COMMUNICATION
TBD	S4LD LLP xFT MSLx 80CRI xxK xxLMF MIN1 MVOLT xxx NLTAIR2 Fx/xxA xxCY xxxCY xCRD	INTEGRAL FIXTURE EMBEDDED POWERPACK; WIRELESS COMMUNICATION
1	rCMS PDT 10 G2	COMBO EXTENDED RANGE 360° SENSOR WITH DAYLIGHTING- CEILING MOUNT, LOW VOLTAGE, DUAL TECHNOLOGY (PDT); WIRELESS COMMUNICATION
1	rPP20 24V EFP G2	20 AMP RELAY PACK WITH 24VDC OUTPUT, CHASE NIPPLE MOUNTING; WIRELESS COMMUNICATION
1	rPODBA 2P DX WH G2	2 CHANNEL ON/OFF TOGGLE WITH DIMMING, BATTERY POWERED; WIRELESS COMMUNICATION

SEE FLOORPLANS FOR QUANTITY OF FIXTURES AND nLIGHT COMPONENTS REQUIRED.

FOR nLIGHT DESIGN ASSISTANCE OR A COMPLETE BOM ON PROJECT - CONTACT SDLA @
CONTROLS@SDLTG.COM OR (858)505-1055

